



CATALOGO RICAMBI E ACCESSORI



D.A.M. MANUFACTURER KART - ITALCORSE - SI RISERVA DI MODIFICARE LE CARATTERISTICHE TECNICHE ED I PREZZI IN QUALSIASI MOMENTO SENZA PREAVVISO.

D.A.M. MANUFACTURER KART - ITALCORSE - NON SI RITIENE RESPONSABILE DI EVENTUALI DIFFERENZE FRA LE INFORMAZIONI CONTENUTE NEL CATALOGO ED I PRODOTTI ATTUALI.

I PREZZI SONO DA INTENDERSI IVA (+22%) ESCLUSA E FRANCO SEDE



D.A.M. MANUFACTURER KART - ITALCORSE - RESERVES THE RIGHT TO MODIFY THE TECHNICAL CHARACTERISTICS AND PRICING UPON DISCREPTION.

D.A.M. MANUFACTURER KART - ITALCORSE - WILL NOT BE HELD RESPONSIBLE FOR EVENTUAL VARIATIONS REGARDING THE CONTENTS OF THE CURRENT PRICE CATALOGUE AND ACTUAL PRODUCTS.

THE PRICES ARE WITHOUT VAT (+22%) AND THE SHIPPING TERMS ARE EX-WORKS EX-FACTORY.

D.A.M. S.r.l.
Via Vecchia di Napoli, 223
00049 Velletri (Roma) Italy
Tel 335 619 3540 / 333 772 0727
Web www.italcorse.eu **E-mail** info@italcorse.eu



INDICE

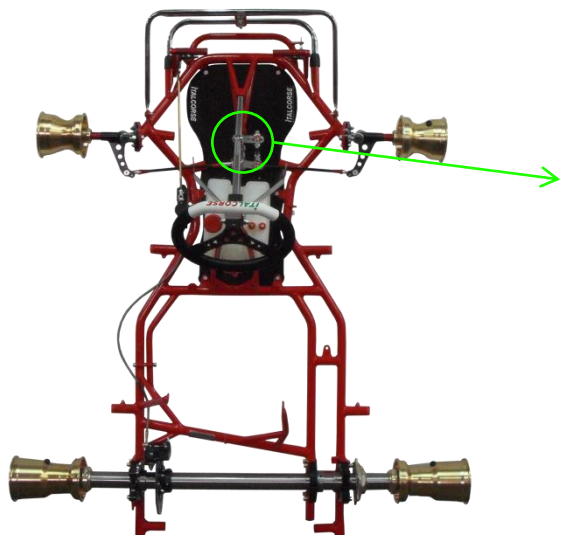
PAG. 4	IT 18
PAG. 5	IT 19
PAG. 6	IT 20
PAG. 7	PIANTONE - STEERING COLUMN
PAG. 8	FUSELLO - STUB AXLE
PAG. 9	FUSELLO/PIANTONE - STUB AXLE/STEERING COLUMN
PAG. 10	PIASTRA MOTORE - ENGINE MOUNTING
PAG. 11	CERCHI - WHEELS
PAG. 12	MOZZO/PORTA CORONA-DISCO - HUB/SPROCKET-REAR DISC CARRIER
PAG. 13	ASSALE - BRAKE DISC/AXLE
PAG. 14	CUSCINETTO ASSALE - AXLE BEARING
PAG. 15	PORTA MARMITTA - EXHAUST SADDLE
PAG. 16	PARAURTI POSTERIORE SUPPORTO EXTRA SEDILE - REAR BUMPER EXTENSION SEAT STAY
PAG. 17	PARAURTI/SUPPORTI/PEDALI - BUMPER/SUPPORT/PEDAL
PAG. 18	PARACATENA E ACCESSORI - CHAIN GUARD AND ACCESSORIES
PAG. 19	CARENATURE / SUPPORTI - BODYWORK / SUPPORT
PAG. 20	PIANALE / SEDILE / SERBATOIO / VOLANTE FLOOR TRAY / SEAT / TANK / STEERING WHEEL
PAG. 22	KIT LEVERAGGIO KZ E FILI - KZLEVERAGE KIT AND WIRES
PAG. 23	KIT ACQUA - WATER KIT
PAG. 24	ADESIVI - STICKERS
PAG. 25	ABBIGLIAMENTO - CLOTHES
PAG. 28	CARRELLI - CARTS
PAG. 29-30	IMPIANTO FRENANTE OK - OK BRAKE SYSTEM
PAG. 31-32	IMPIANTO FRENANTE KZ - KZ BRAKE SYSTEM
PAG. 33-34	PINZA POSTERIORE - REAR BRAKE CALIPER
PAG. 35	POMPA FRENI - MASTER CYLINDER
PAG. 36	RIPARTITORE FRENATA - BRAKE EQUALIZER
PAG. 37	TIRANTI FRENO - BRAKE RODS
PAG. 38	IMPIANTO FRENO KF MOD. IDRAULICO - KF BRAKE SYSTEM MOD. HYDRAULIC
PAG. 39	POMPA FRENO - BRAKE MASTER CYLINDER
PAG. 40	IMPIANTO FRENANTE MOTOR QUALITY - MOTOR QUALITY BRAKE SYSTEM

D.A.M. S.r.l.

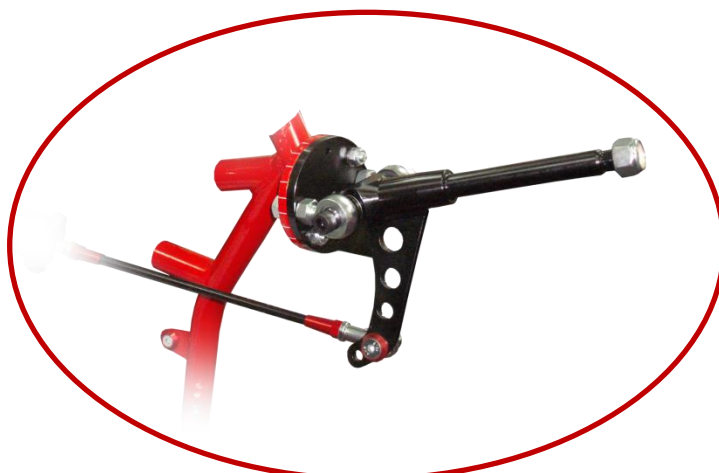
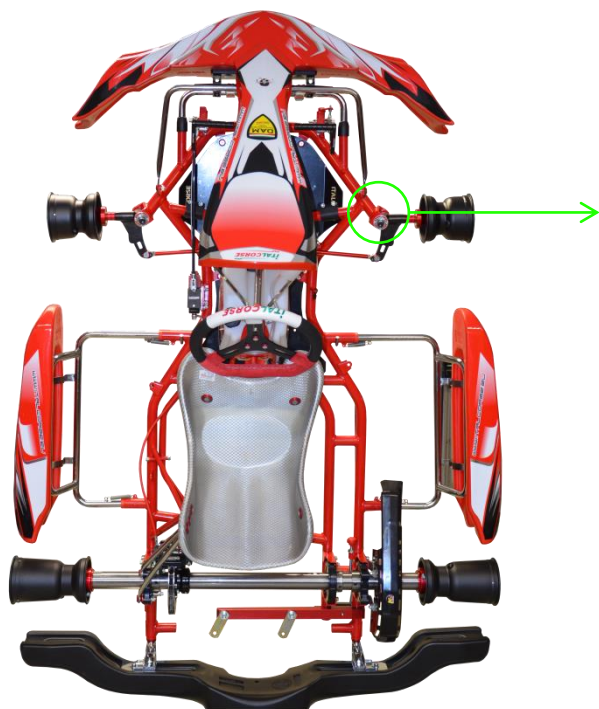
Via Vecchia di Napoli, 223
00049 Velletri (Roma) Italy

Tel 335 619 3540 / 333 772 0727

Web www.italcorse.eu E-mail info@italcorse.eu



DELUXE



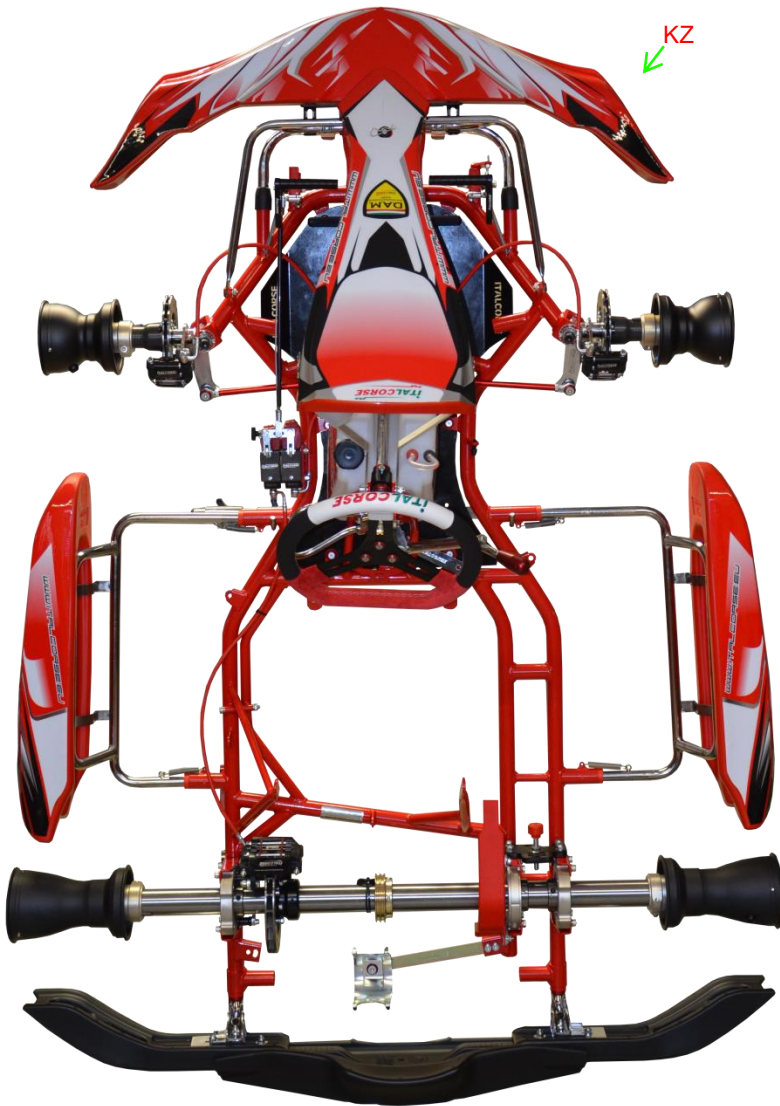
Mod. 2015

COD.	DESCRIZIONE	DESCRIPTION
IT 18	Base	Standard
IT 18	DELUXE Monomarcia	DELUXE Single Speed
IT 18 KF	DELUXE KF	DELUXE KF
IT 18 KZ	DELUXE KZ	DELUXE KZ
IT 18	Mod. 2017 Monomarcia	Mod. 2017 Single Speed
IT 18 KF	Mod. 2017 KF	Mod. 2017 KF
IT 18 KZ	Mod. 2017 KZ	Mod. 2017 KZ

* Optional: Magnesium Kit Single Speed - KF -KZ € 150,00

* Optional: Kit pedali regolabili e poggiapiedi / Kit adjustable pedals and feet support € 150,00

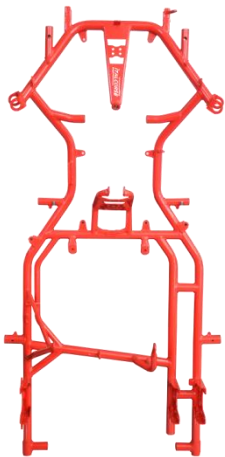
IT 19



COD.	DESCRIZIONE	DESCRIPTION
IT 19	Base	Standard
IT 19	Monomarcia	Single Speed
IT 19	KF	KF
IT 19	KZ	KZ

* Optional: Magnesium Kit Single Speed - KF -KZ € 150,00

* Optional: Kit pedali regolabili e poggipiedi / Kit adjusted pedals and feet support € 150,00



Base

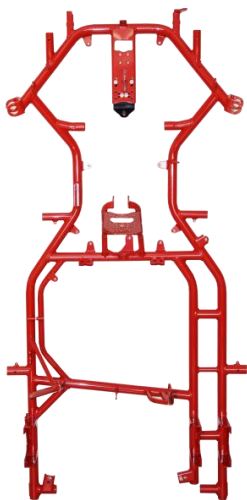


OK



KZ

IT 20 support



Base Pro



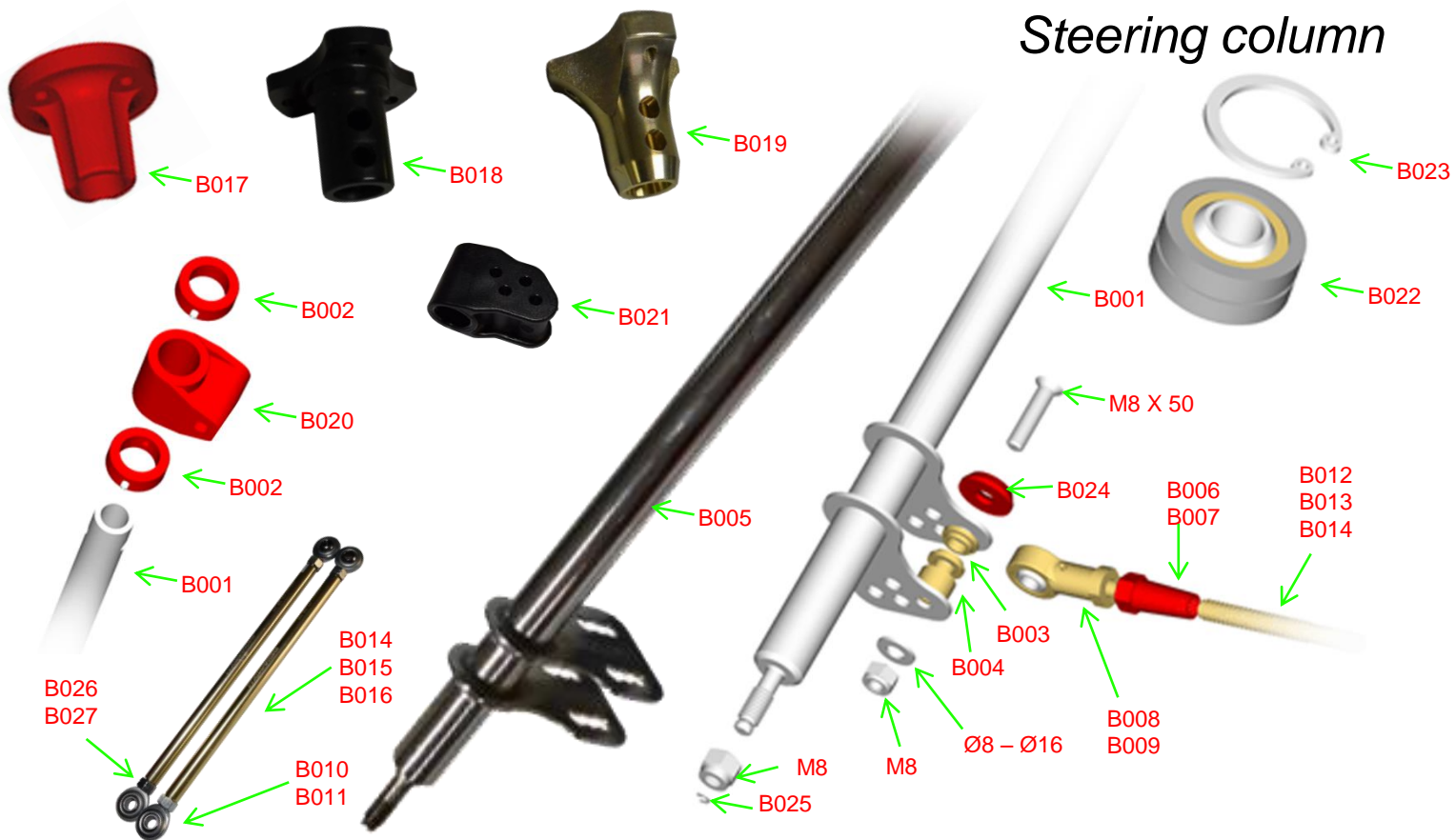
OK Pro



KZ Pro

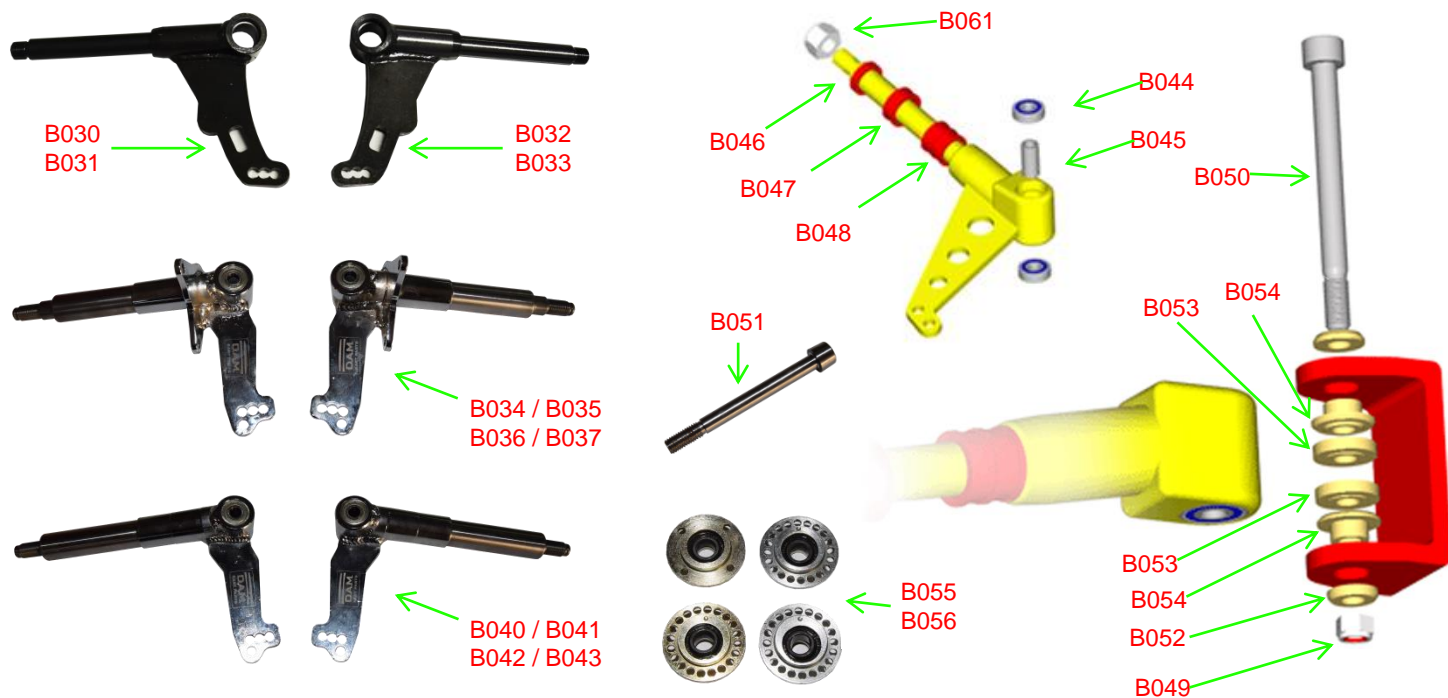
COD.	DESCRIZIONE	DESCRIPTION
IT 20	Base	Standard
IT 20	OK	OK
IT 20	KZ	KZ
IT 20 Pro	Base Pro	Standard Pro
IT 20 Pro	OK Pro	OK Pro
IT 20 Pro	KZ Pro	KZ Pro
IT 20 support	Supporto sterzo regolabile	Adjustable steering support

Piantone Steering column



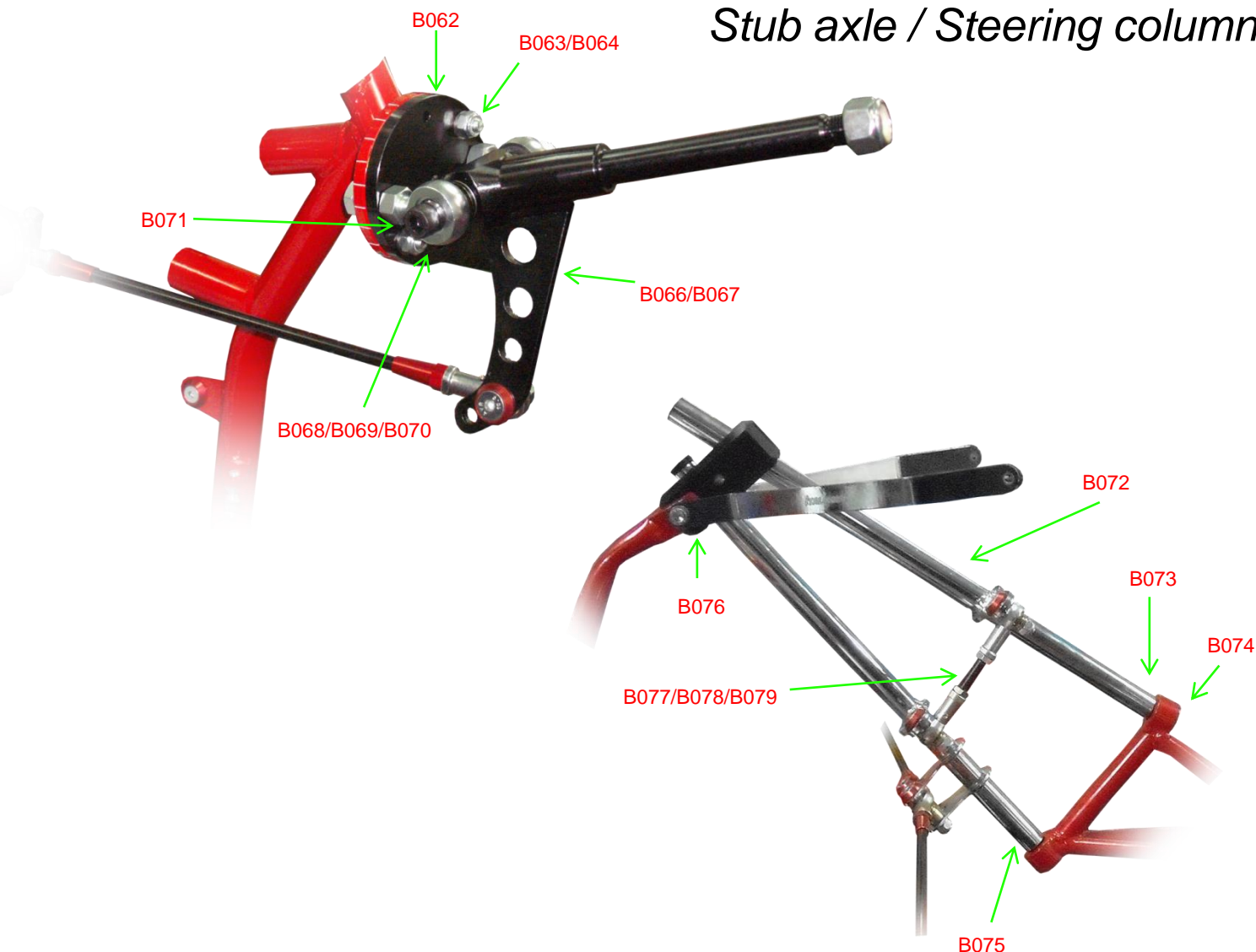
COD.	DESCRIZIONE	DESCRIPTION
B001	Piantone STD	Steering column STD
B002	Sicura per piantone	Safety for steering column
B003	Rondella bidiametro	Two diameter washer
B004	Spessore	Spacer
B005	Piantone Racing	Steering column Racing
B006	Controunball dx	Uniball lock nut dx
B007	Controunball sx	Uniball lock nut sx
B008	Uniball dx	Uniball dx
B009	Uniball sx	Uniball sx
B010	Uniball dx	Uniball dx
B011	Uniball sx	Uniball sx
B012	Tirante sterzo 255	Track rod 255
B013	Tirante sterzo 260	Track rod 260
B014	Tirante sterzo 265 AL	Track rod 265 AL
B015	Tirante sterzo 270 AL	Track rod 270 AL
B016	Tirante sterzo 275 AL	Track rod 275 AL
B017	Supporto volante	Steering wheels boss
B018	Supporto volante AL inclinato	Inclined steering wheels boss AL
B019	Supporto volante MG inclinato	Inclined steering wheels boss MG
B020	Supporto piantone	Steering column boss
B021	Supporto piantone multiforo	Steering column boss
B022	Uniball piantone	Steering wheels uniball
B023	Seiger per uniball	Circlip for steering wheel uniball
B024	Rondella conica AL Ø8	Stub axle conic washer Ø8
B025	Seiger per uniball	Circlip for steering wheel uniball
B026	Dado dx	Nut dx
B027	Dado sx	Nut sx
B028	Inclinometro	Inclined spacer for steering

Fusello Stub axle



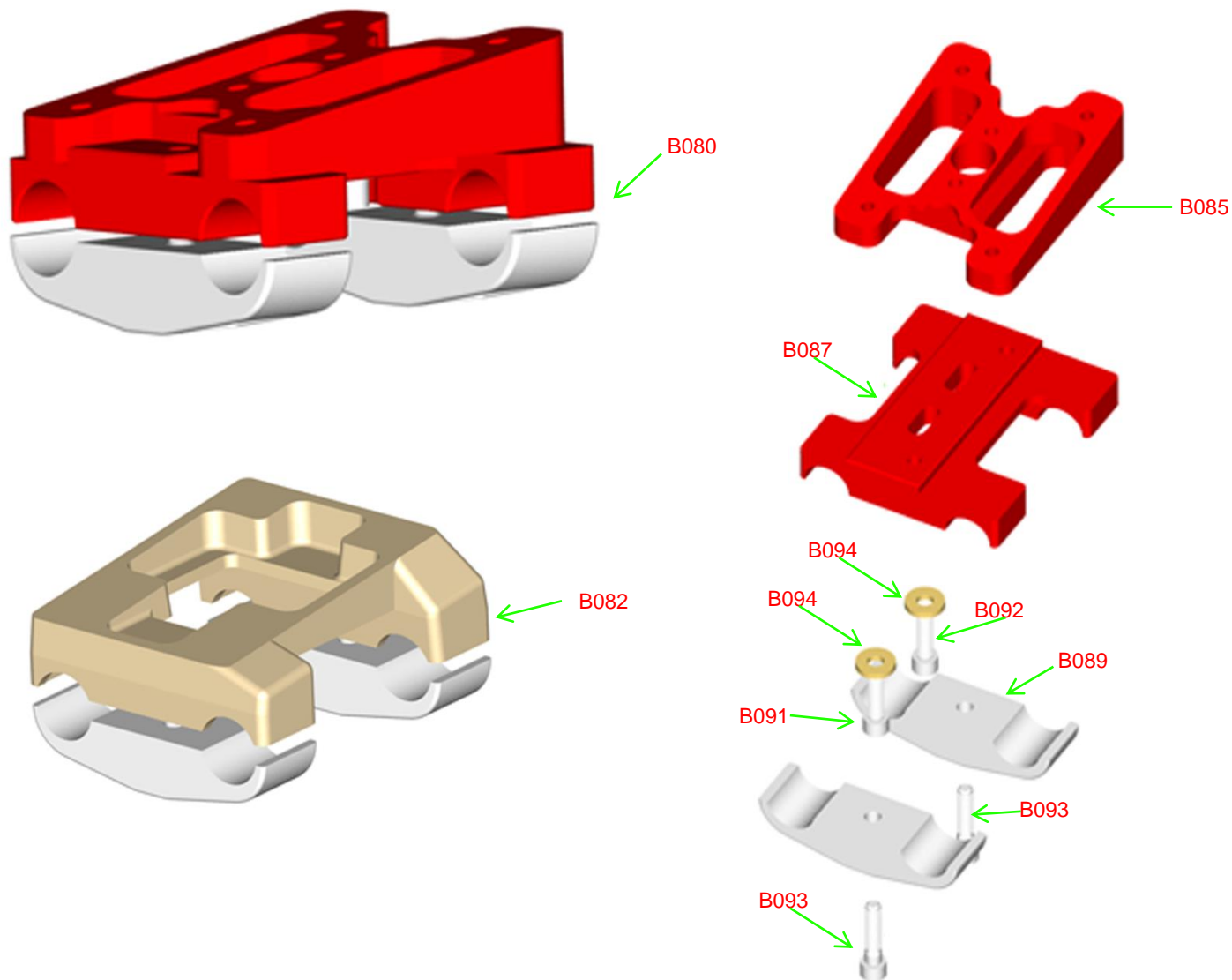
COD.	DESCRIZIONE	DESCRIPTION
B030	Fusello lato freno Ø 17 KFJ	Stub axle brake side Ø 17 KFJ
B031	Fusello lato motore Ø 17 KFJ	Stub axle engine side Ø 17 KFJ
B032	Fusello lato freno Ø 17 KFJ Racing	Stub axle brake side Ø 17 KFJ Racing
B033	Fusello lato motore Ø 17 KFJ Racing	Stub axle engine side Ø 17 KFJ Racing
B034	Fusello lato freno KZ Ø 25 (Modello D)	Stub axle brake side KZ Ø 25 (Model D)
B035	Fusello lato motore KZ Ø 25 (Modello D)	Stub axle engine side KZ Ø 25 (Model D)
B036	Fusello lato freno Ø 25 (Modello C) KZ	Stub axle brake side Ø 25 (Model C) KZ
B037	Fusello lato motore Ø 25 (Modello C) KZ	Stub axle engine side Ø 25 (Modello C) KZ
B038	Fusello lato freno KF / KZ Ø 25 attacco Brembo	Stub axle brake side KF / KZ Ø 25 for Brembo
B039	Fusello lato motore KF / KZ Ø 25 Attacco Brembo	Stub axle engine side KF / KZ Ø 25 for Brembo
B040	Fusello lato freno OK / Monomarcia (Modello D)	Stub axle brake side OK / Single Speed (Model D)
B041	Fusello lato motore / Monomarcia (Modello D)	Stub axle engine side KF / Single Speed (Mod. D)
B042	Fusello lato freno / Monomarcia (Modello C)	Stub axle brake side KF / Single Speed (Model C)
B043	Fusello lato motore / Monomarcia (Modello C)	Stub axle engine side KF / Single Speed (Mod. C)
B044	Cuscinetto fusello	Stub axle bearing
B045	Distanziale cuscinetto	Bearing spacer
B046	Rondella fusello mm5 Ø 25	Stub axle washer mm5 Ø 25
B047	Rondella fusello mm10 Ø 25	Stub axle washer mm10 Ø 25
B048	Rondella fusello mm20 Ø 25	Stub axle washer mm20 Ø 25
B049	Dado perno ruota	Stub axle nut
B050	Perno fusello 12K	Stub axle king pin 12K
B051	Perno fusello rettificato	Adjusted stub axle pivot
B052	Rondella sottoperno	Stub axle bolt washer
B053	Rondella bidiametro 2,65mm	Two diameter washer 2,65mm
B054	Rondella bidiametro 5,25mm	Two diameter washer 5,25mm
B055	Boccola guida perno a 0°	bushing guide pin 0°
B056	Eccentrico da 0,5°/1°/1,5° new	Uniball stub axle off set mount 0,5°/1°/1,5° new
B057	Snodo sferico	Spherical joint
B058	Anello elastico sicurezza snodo	Safety circlip for spherical joint
B059	Rondella bidiametro	Bidiameter washer
B060	Viti M4x10	Screw M4x10
B061	Dado ruota	Wheel nut

Fusello / Piantone Stub axle / Steering column



COD.	DESCRIZIONE	DESCRIPTION
B062	Piatto graduato	Plate sized
B063	Dado M8	Nut M8
B064	Brugola M8x30	Brugola M8x30
B065	Dado M10	Nut M10
B066	Spessore fusello 3,20mm	Spacer stub axle 3,20mm
B067	Spessore fusello 3,70mm	Spacer stub axle 3,70mm
B068	Assieme uniball speciale 0,7	Kit special uniball 0,7
B069	Dado 7mm per uniball speciale 0,7	Nut 7mm for special uniball 0,7
B070	Dado 10mm per uniball speciale 0,7	Nut 10mm for special uniball 0,7
B071	Perno fusello M10x110 rettificato	Adjusted stub axle king pin M10x110
B072	Piantone superiore marchiato	Top column marked
B073	Snodo sferico	Ball joint
B074	Seiger piantone	Seiger column
B075	Piantone inferiore marchiato	Lower column marked
B076	Supporto piantone doppio derling	Support column twice derling
B077	Tirante rinvio piantone	Reference rod column
B078	Uniball dx	Uniball dx
B079	Uniball sx	Uniball sx

Piastra motore Engine mounting



COD.	DESCRIZIONE	DESCRIPTION
B080	Piastra motore AL	Engine mounting special AL
B081	Piastra motore MG	Engine mounting special MG
B082	Piastra motore MG semplice (compl.)	Engine mounting MG simple (compl.)
B083	Piastra motore MG semplice	Engine mounting MG simple
B084	Piastra motore AL semplice	Engine mounting AL simple
B085	Piastra motore (slitta sup.) AL	Special mounting top side AL
B086	Piastra motore (slitta sup.) MG	Special mounting top side MG
B087	Piastra motore (slitta inf.) AL	Special mounting bottom side AL
B088	Piastra motore (slitta inf.) MG	Special mounting bottom side MG
B089	Cavallotto	Clamp
B090	Cavallotto AL	Clamp AL
B091	Brugola 10x30	Allen bolt 10x30
B092	Brugola 10x40	Allen bolt 10x40
B093	Brugola 10x45	Allen bolt 10x45
B094	Rondella piastra	Special mounting washer

Cerchi Wheels



COD.	DESCRIZIONE	DESCRIPTION
B100	Set cerchi Douglas h 130-h 180 AL	Wheels Douglas h 130-h 180 AL Set
B101	Set cerchi Douglas h 130-h 180 MG	Wheels Douglas h 130-h 180 MG Set
B102	Set cerchi Douglas h 130-h 210 MG	Wheels Douglas h 130-h 210 MG Set
B103	Set cerchi Douglas h 132-h 212 MG	Wheels Douglas h 132-h 212 MG Set
B104	Cerchio anteriore Douglas h 130 MG	Front wheel Douglas h 130 MG
B105	Cerchio anteriore Douglas h 132 MG	Front wheel Douglas h 132 MG
B106	Cerchio posteriore Douglas h 180 MG	Rear wheel Douglas h 180 MG
B107	Cerchio posteriore Douglas h 210 MG	Rear wheel Douglas h 210 MG
B108	Cerchio posteriore Douglas h 212 MG	Rear wheel Douglas h 212 MG
B109	Cerchio anteriore h 130 AL	Front wheel h 130 AL
B110	Cerchio posteriore h 180 AL	Rear wheel h 180 AL
B111	Valvola tubless corta	Tubeless valve
B112	Vite M5x12 Cerchio + Or	Screw M5x12 + or
B113	Dado M8 autofrenante flangiato	Brake-block nut M8
B114	Set Cerchio racing h 132/212	Racing wheels h 132/212 Set

Mozzo/Porta corona-disco Hub/Sprocket-rear disc carrier



B115
B116

B117
B118



B119
B120

B121
B122

B123
B124



B125
B126

B127
B128

B129
B130



B131
B132

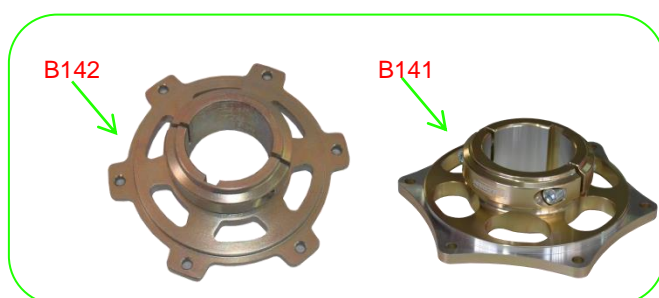
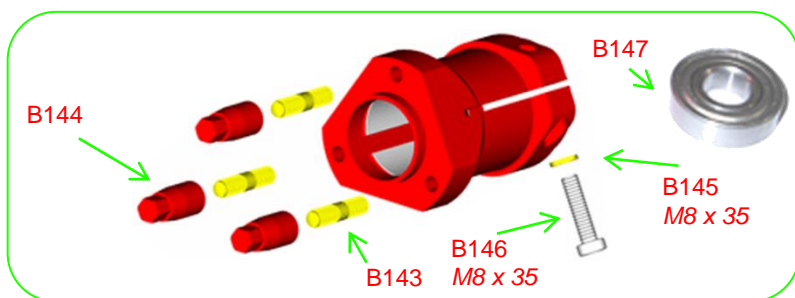
B133
B134

B135
B136



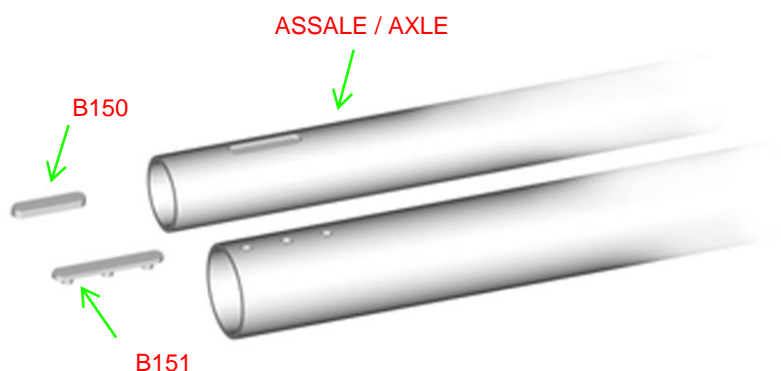
B137
B138

B139
B140



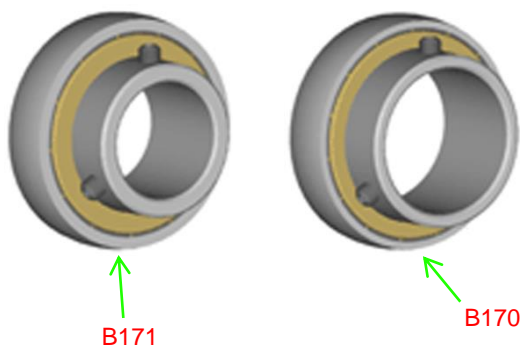
COD.	DESCRIZIONE	DESCRIPTION
B115	Mozzo anteriore Ø 17 L 50 AL	Front Hub Ø 17 L 50 AL
B116	Mozzo anteriore Ø 17 L 50 MG	Front Hub Ø 17 L 50 MG
B117	Mozzo anteriore Ø 17 L 75 AL	Front Hub Ø 17 L 75 AL
B118	Mozzo anteriore Ø 17 L 75 MG	Front Hub Ø 17 L 75 MG
B119	Mozzo anteriore Ø 25 L 50 AL	Front Hub Ø 25 L 50 AL
B120	Mozzo anteriore Ø 25 L 50 MG	Front Hub Ø 25 L 50 MG
B121	Mozzo anteriore Ø 25 L 75 AL	Front Hub Ø 25 L 75 AL
B122	Mozzo anteriore Ø 25 L 75 MG	Front Hub Ø 25 L 75 MG
B123	Mozzo anteriore Ø 25 L 95 AL	Front Hub Ø 25 L 95 AL
B124	Mozzo anteriore Ø 25 L 95 MG	Front Hub Ø 25 L 95 MG
B125	Mozzo anteriore KF/KZ Ø 40 L 60 AL	Front Hub KF/KZ Ø 40 L 60 AL
B126	Mozzo anteriore KF/KZ Ø 40 L 60 MG	Front Hub KF/KZ Ø 40 L 60 MG
B127	Mozzo anteriore KF/KZ Ø 40 L 75 AL	Front Hub KF/KZ Ø 40 L 75 AL
B128	Mozzo anteriore KF/KZ Ø 40 L 75 MG	Front Hub KF/KZ Ø 40 L 75 MG
B129	Mozzo anteriore KF/KZ Ø 40 L 85 AL	Front Hub KF/KZ Ø 40 L 85 AL
B130	Mozzo anteriore KF/KZ Ø 40 L 95 MG	Front Hub KF/KZ Ø 40 L 95 MG
B131	Mozzo posteriore Ø 50 L 60 AL	Rear Hub Ø 50 L 60 AL
B132	Mozzo posteriore Ø 50 L 60 MG	Rear Hub Ø 50 L 60 MG
B133	Mozzo posteriore Ø 50 L 85 AL	Rear Hub Ø 50 L 85 AL
B134	Mozzo posteriore Ø 50 L 85 MG	Rear Hub Ø 50 L 85 MG
B135	Mozzo posteriore Ø 50 L 95 AL	Rear Hub Ø 50 L 95 AL
B136	Mozzo posteriore Ø 50 L 95 MG	Rear Hub Ø 50 L 95 MG
B137	Mozzo posteriore Ø 50 L 100 AL	Rear Hub Ø 50 L 100 AL
B138	Mozzo posteriore Ø 50 L 100 MG	Rear Hub Ø 50 L 100 MG
B139	Mozzo posteriore Ø 50 L 115 AL	Rear Hub Ø 50 L 115 AL
B140	Mozzo posteriore Ø 50 L 115 MG	Rear Hub Ø 50 L 115 MG
B141	Porta corona Ø 50 AL	Sprocket Ø 50 AL
B142	Porta corona Ø 50 MG	Sprocket Ø 50 MG
B143	Prigioniero mozzo	Hub stud
B144	Dado mozzo	Hub nut
B145	Rondella mozzo	Hub washer
B146	Vite M8x35	Screw M8x35
B147	Cuscinetto Mozzo	Hub bearing

Assale
Axle



COD.	DESCRIZIONE	DESCRIPTION
B150	Chiavetta 8x40	8x40 key
B151	Chiavetta con guide per Ø 50	Key with guide Ø 50
B152	Assale STANDARD 1040 Ø 40	Rear axle STANDARD 1040 Ø 40
B153	Assale RACING 1040 Ø 40	Rear axle RACING 1040 Ø 40
B154	Assale STANDARD 1020 Ø 40	Rear axle STANDARD 1020 Ø 40
B155	Assale RACING 1020 Ø 40	Rear axle RACING 1020 Ø 40
B156	Assale tipo R 1040 Ø 50	Rear axle R 1040 Ø 50
B157	Assale tipo R 1020 Ø 50	Rear axle R 1020 Ø 50
B158	Assale tipo R 1000 Ø 50	Rear axle R 1000 Ø 50
B159	Assale tipo M 1040 Ø 50	Rear axle M 1040 Ø 50
B160	Assale tipo M 1020 Ø 50	Rear axle M 1020 Ø 50
B161	Assale tipo M 1000 Ø 50	Rear axle M 1000 Ø 50
B162	Assale tipo V 1040 Ø 50	Rear axle V 1040 Ø 50
B163	Assale tipo V 1020 Ø 50	Rear axle V 1020 Ø 50
B164	Assale tipo V 1000 Ø 50	Rear axle V 1000 Ø 50
B165	Assale tipo BL 1040 Ø 50	Rear axle BL 1040 Ø 50
B166	Assale tipo BL 1020 Ø 50	Rear axle BL 1020 Ø 50
B167	Assale tipo BL 1000 Ø 50	Rear axle BL 1000 Ø 50

Cuscinetto assale
Axle bearing



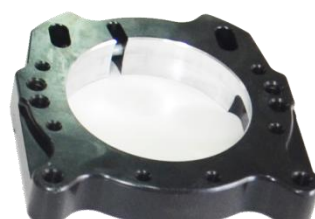
B174
↓



B173
↓



B172
↓



↑
B177



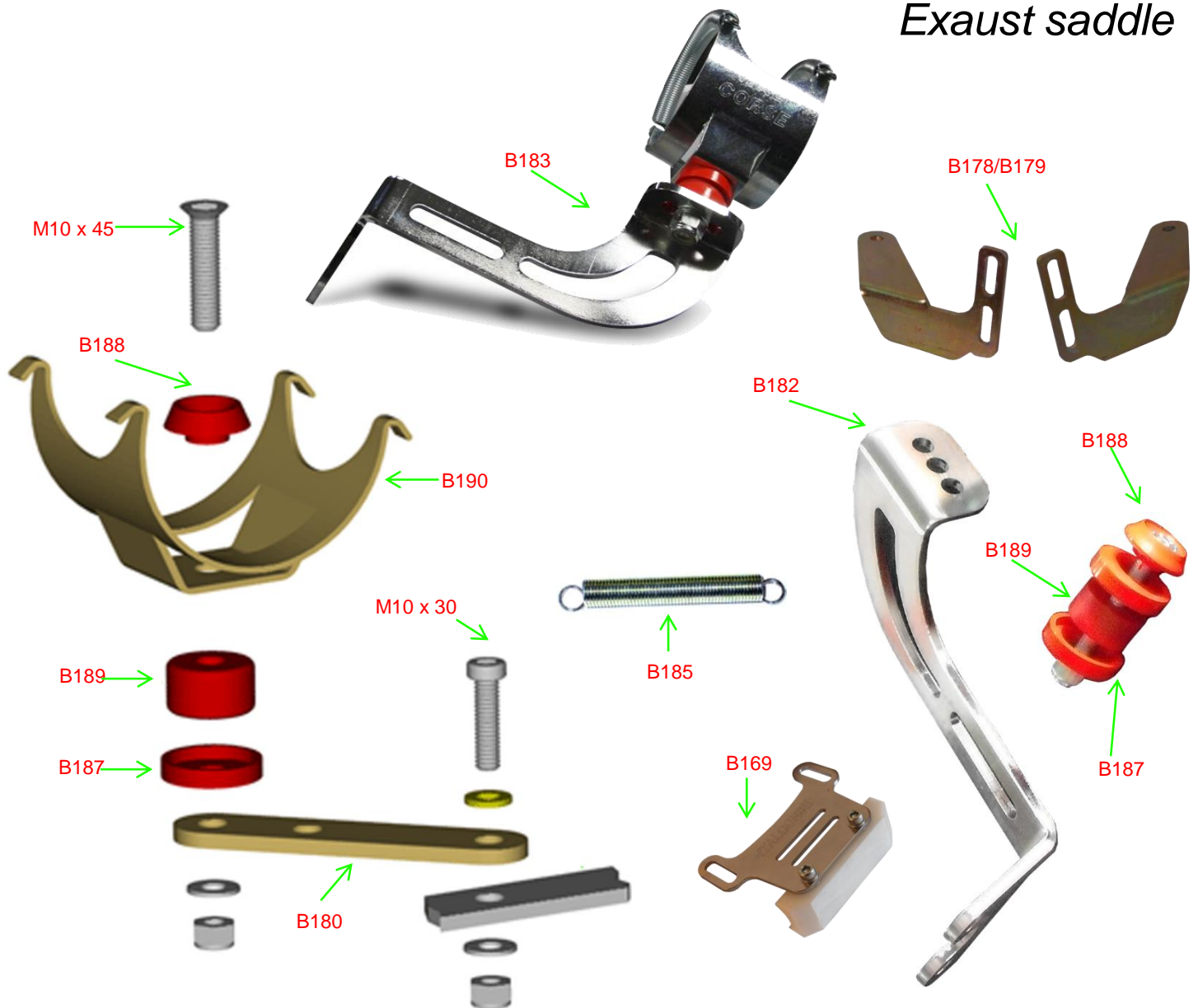
↑
B176



↑
B175

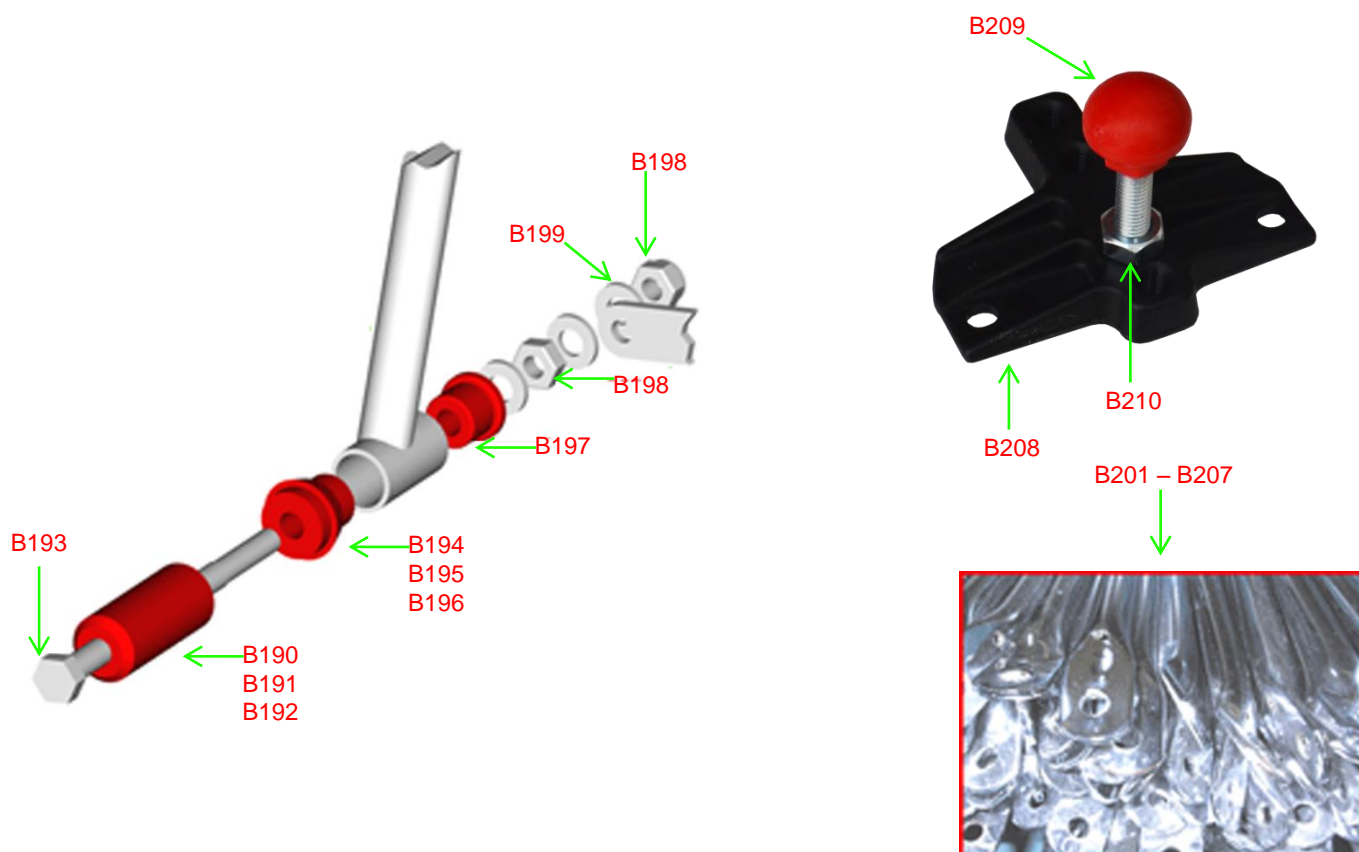
COD.	DESCRIZIONE	DESCRIPTION
B170	Cuscinetto Ø 50-80	Bearing Ø 50-80
B171	Cuscinetto Ø 50-90	Bearing Ø 50-90
B172	Porta cuscinetto Ø 50 AL lato freno	Bearing house Ø 50 AL brake side
B173	Porta cuscinetto centrale AL	Central bearing house AL
B174	Porta cuscinetto Ø 50 AL lato motore	Bearing house Ø 50 AL engine side
B175	Porta cuscinetto Ø 50 MG lato freno	Bearing house Ø 50 MG brake side
B176	Porta cuscinetto Ø 50 MG centrale	Central bearing house Ø 50 MG
B177	Porta cuscinetto Ø 50 MG lato motore	Bearing house Ø 50 MG engine side

Porta marmitta
Exhaust saddle



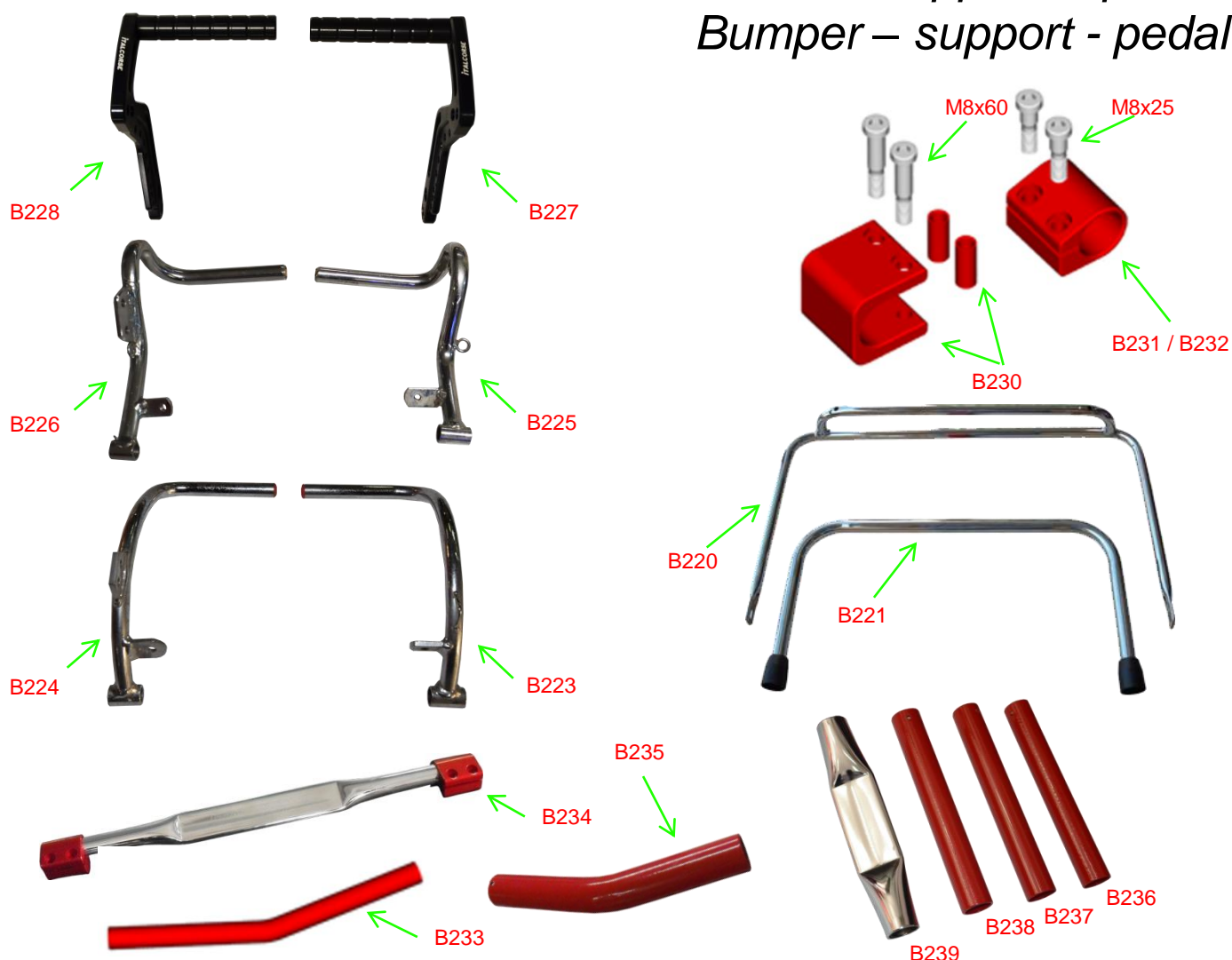
COD.	DESCRIZIONE	DESCRIPTION
B169	Salva disco completo	Keep disc
B168	Culla porta marmitta	Exhaust saddle
B178	Attacco scarico KZ dx	Right exhaust hanger KZ
B179	Attacco scarico KZ sx	Left exhaust hanger KZ
B169	Salva disco completo	Keep disc
B180	Prolunga porta marmitta	Exhaust saddle extension
B181	Prolunga porta marmitta	Exhaust saddle extension
B182	Prolunga porta marmitta cromato	Exhaust saddle extension chrome
B183	Porta marmitta completo	Exhaust saddle complete
B184	Porta marmitta completo KZ	Exhaust saddle complete KZ
B185	Molla porta marmitta	Exhaust saddle spring
B186	Fascetta porta marmitta	Exhaust hose clamp
B187	Rondella porta marmitta	Exhaust saddle washer
B188	Rondella porta marmitta conica	Exhaust saddle washer conic
B189	Gommino porta marmitta	Exhaust saddle rubber

Paraurti posteriore supporto extra sedile
Rear bumper extension seat stay



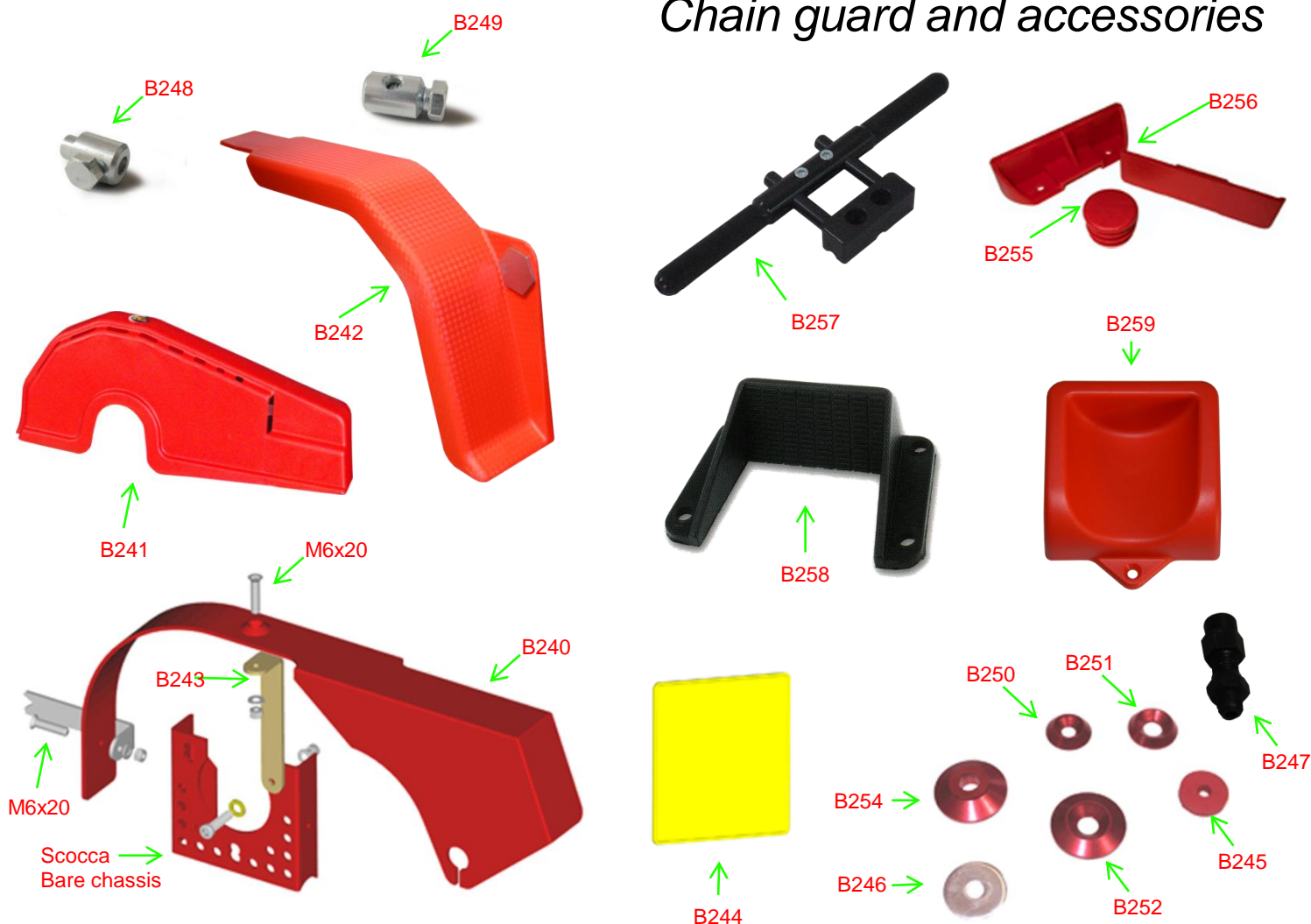
COD.	DESCRIZIONE	DESCRIPTION
B190	Gommino paraurti posteriore Ø 28	Rear bumper rubber Ø 28
B191	Gommino paraurti posteriore Ø 30	Rear bumper rubber Ø 30
B192	Gommino paraurti posteriore Ø 32	Rear bumper rubber Ø 32
B193	Tirante gommino paraurti	Rear bumper bolt
B194	Distanziale interno paraurti Ø 28	Rear bumper inside spacer Ø 28
B195	Distanziale interno paraurti Ø 30	Rear bumper inside spacer Ø 30
B196	Distanziale interno paraurti Ø 32	Rear bumper inside spacer Ø 32
B197	Distanziale esterno paraurti	Rear bumper outside spacer
B198	Dado tirante	Bolt nut
B199	Rondella Ø 10	Washer Ø 10
B200	Dado tirante	Bolt nut
B201	Supporto extra per sedile mm 260	Extension seat stay mm 260
B202	Supporto extra per sedile mm 280	Extension seat stay mm 280
B203	Supporto extra per sedile mm 300	Extension seat stay mm 300
B204	Supporto extra per sedile mm 320	Extension seat stay mm 320
B205	Supporto extra per sedile mm 330	Extension seat stay mm 330
B206	Supporto extra per sedile mm 340	Extension seat stay mm 340
B207	Supporto extra per sedile mm 390	Extension seat stay mm 390
B208	Frena motori	Brake Engine
B209	Vite frena motori	Screw Brake Engine
B210	Dado	Nut

Paraurti – supporti – pedali Bumper – support - pedal



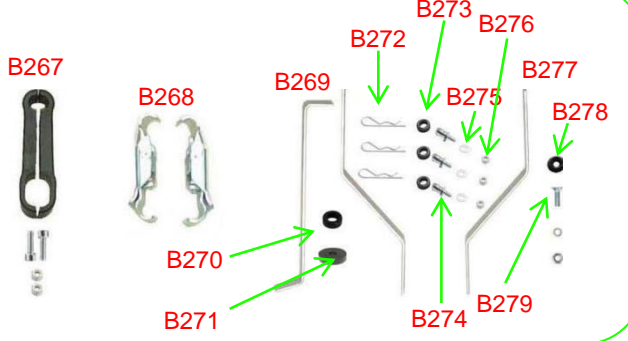
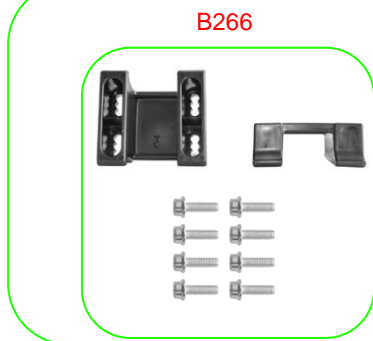
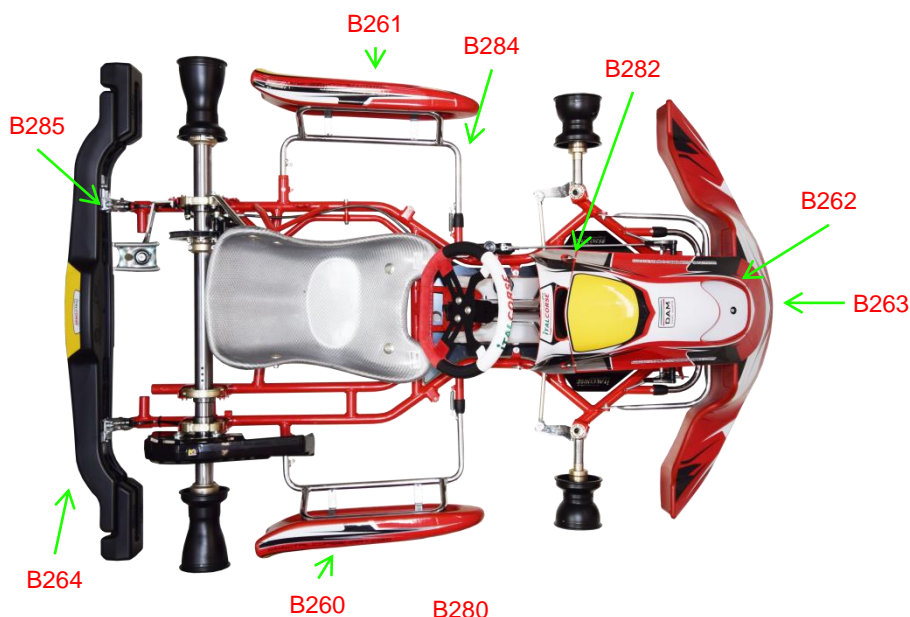
COD.	DESCRIZIONE	DESCRIPTION
B220	Supporto paraurti anteriore sup.	Upper front bumper support
B221	Supporto paraurti anteriore inf.	Lower front bumper support
B222	Manicotto anti vibrazione	Anti-vibration sleeve
B223	Pedale acceleratore std	Throttle pedal std
B224	Pedale freno std	Brake pedal std
B225	Pedale acceleratore 125cc 3 curve	Throttle pedal 3 curves
B226	Pedale freno 125cc 3 curve	Brake pedal 125cc
B227	Pedale acceleratore AL	AL pedal
B228	Pedale freno AL	AL pedal
B229	Perno pedale	Pedal pivot bolt
B230	Blocca barra centrale IT 9/10/11	Central blockbar IT 9/10/11
B231	Blocca barra anteriore	Front block bar
B232	Blocca barra posteriore	Rear block bar
B233	Barra anteriore IT 18 / IT 19	Front bar IT 18 / IT 19
B234	Barra posteriore	Rear bar
B235	Barra anteriore centrale IT 18 / IT 19	Central front bar IT 18 / IT 19
B236	Barra anteriore STD IT 20	Front bar STD IT 20
B237	Barra anteriore Medium IT 20	Front bar Medium IT 20
B238	Barra anteriore Soft IT 20	Front bar Soft IT 20
B239	Barra anteriore Piatta Cromo IT 20	Front bar Flat Chrome IT 20

Paracatena e accessori Chain guard and accessories



COD.	DESCRIZIONE	DESCRIPTION
B240	Paracatena	Rotary valve chain guard
B241	Paracatena KF mod. KG	Reed valve chain guard KG mod.
B242	Paracatena KZ	Reed valve chain guard KZ
B243	Supporto paracatena	Chain guard support
B244	Portanumero	Rear number plate
B245	Gommino pianale	Floor tray rubber
B246	Rondella Ø 6 sottopianale	Washer Ø 6 under floor tray
B247	Fermaguaina acceleratore	Throttle cable adjustung
B248	Morsetto filo freno	Brake cable nipple
B249	Morsetto filo gas	Throttle cable nipple
B250	Rondella conica Ø 6 pianale AL	Washer Ø 6 floor tray AL
B251	Rondella conica Ø 8 fusello AL	Washer Ø 8 stud axle AL
B252	Rondella conica Ø 8 sedile AL	Seat conic washer Ø 8 AL
B253	Rondella conica Ø 8 sedile plastica	Seat conic washer Ø 8 plastic
B254	Spessore sotto sedile AL	Spancer under seat AL
B255	Tappo Ø 28/30/32	Plug Ø 28/30/32
B256	Poggiapiede	Feet support
B257	Poggiapiede AL	Feet support AL
B258	Poggiapiede Plastica	Plastic footrest
B259	Poggiapiede	Feet support

Carenature – supporti Bodywork - support

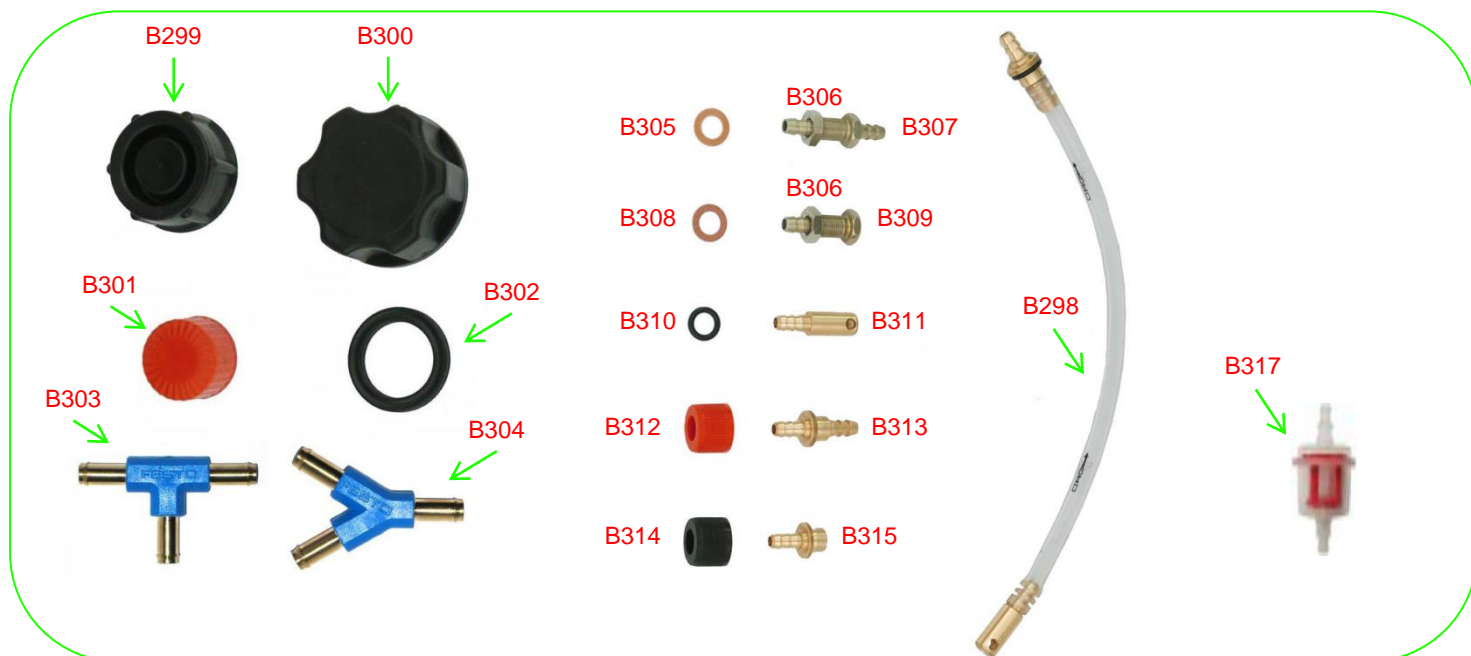


COD.	DESCRIZIONE	DESCRIPTION
B260	Carenatura lato pignone 507	Bodywork sprocket side 507
B261	Carenatura lato freno 507	Bodywork brake side 507
B262	Musetto 508	Front panel 508
B263	Spoiler anteriore 507	Nose cone 507
B264	Spoiler posteriore C3 FIA	Rear spoiler C3 FIA
B265	Set completo (solo plastica) 507 - 508	Bodywork complete set (plastic only) 507 - 508
B266	Kit attacco spoiler KG AT.022.NE	Spoiler KG connection kit assy AT.022.NE
B267	Supporto spoiler plastica	Spoiler plastic support
B268	Gancio rapido spoiler	Fast clamps for spoiler
B269	Supporto frontalino inferiore	Front fairing support below
B270	Spessore 8,5-14x 5 barretta	Spacer 8,5-14x 5 track rod
B271	Gommino pianale	Floor tray rubber
B272	Spina elastica supporto frontalino	Front fairing elastic pin
B273	Gommino supporto frontalino	Front fairing rubber
B274	Perno supporto frontalino inferiore nero	Front fairing support pivot black
B275	Rondella 6,5-12x1,5	Washer 6,5-12x1,5
B276	Dado M 6 autoblock basso	Nut M 6 low self-locking
B277	Supporto frontalino superiore	Front fairing support upper
B278	Rondella 6 svasata nera	Washer 6 countersunk black
B279	Vite M 6x 25 svasata	M 6x 25 countersunk head screw
B280	Kit supporti & viti carrozzerie KG	Screw & supports for fairings KG
B281	Kit attacco spoiler CIK-FIA	Spoiler CIK-FIA connection kit assy
B282	Copiglie per frontalino	Pins for Front
B283	Supporto carenatura lato pignone	Bodywork sprocket side support
B284	Supporto carenatura lato freno	Bodywork brake side support
B285	Kit attacco spoiler posteriore KG KG AT.012.30	KG rear spoiler KIT KG AT.012.30

Pianale – sedile – serbatoio – volante
Floor tray – seat – tank – steering wheel

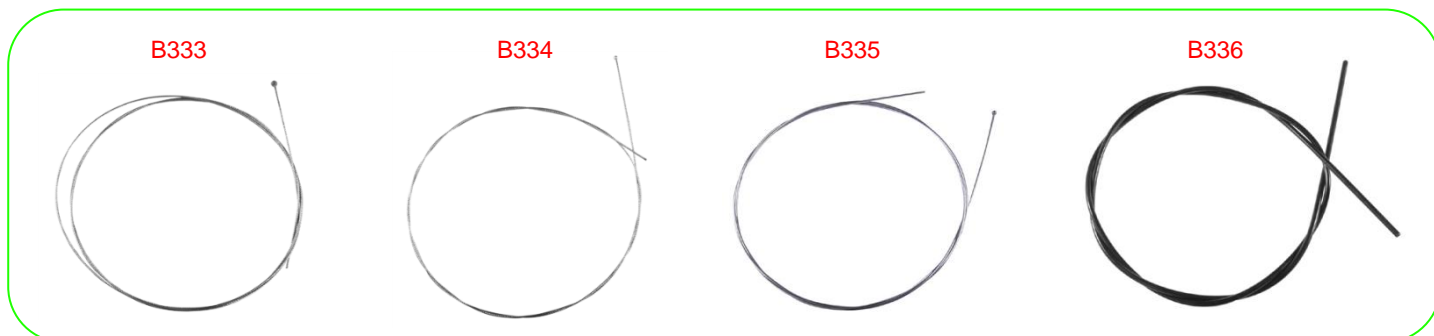
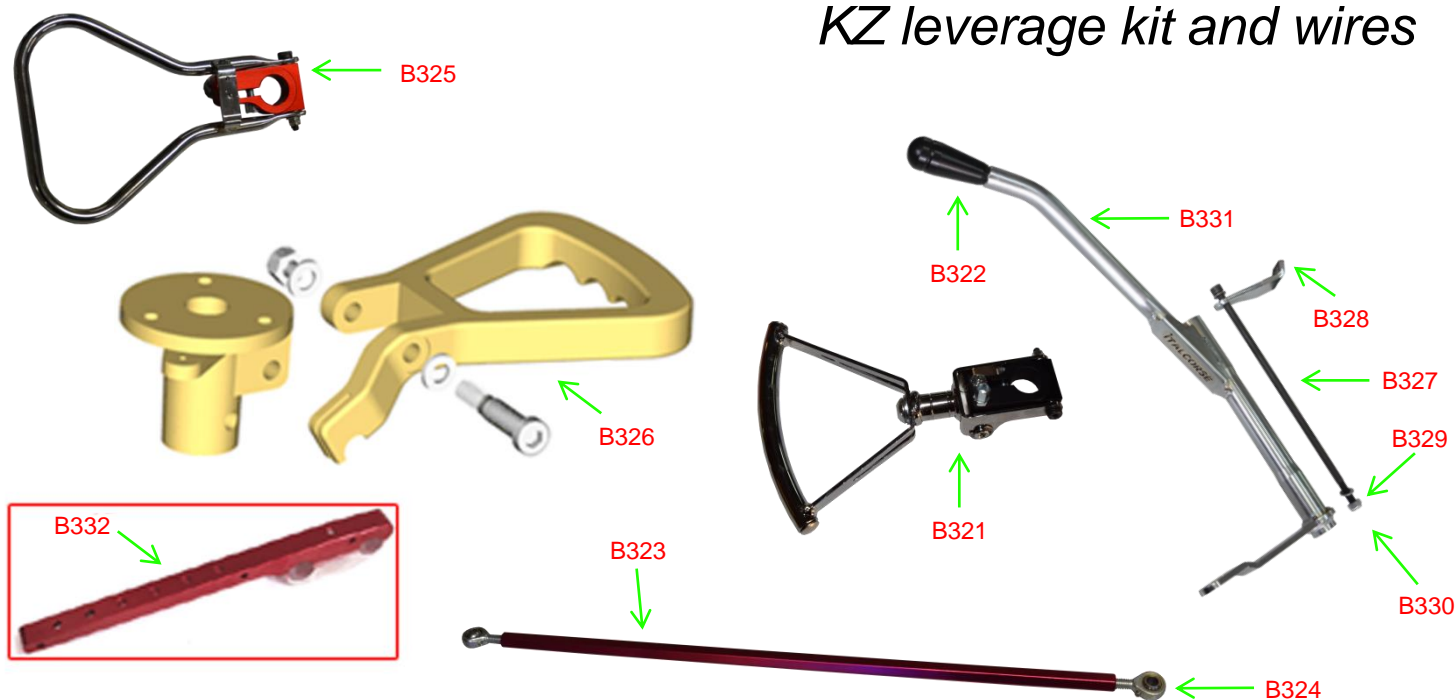


Pianale – sedile – serbatoio – volante Floor tray – seat – tank – steering wheel



COD.	DESCRIZIONE	DESCRIPTION
B289	Supporto sedile	Seat support
B290	Pianale	Floor tray
B291	Sedile	Seat
B292	Sedile in fibra	Fiber Seat
B293	Volante Alcantara con logo 330/340 Ø	Steering wheel Alcantara with logo 330/340 Ø
B294	Nastro adesivo	Scotch tape
B295	Serbatoio lt. 8 CIK	Tank lt. 8 CIK
B296	Serbatoio recupero	Recuperate tank
B297	KIT serbatoio recupero	Recuperate tank KIT
B298	Tubazione benzina mt. 1	Fuel pipe mt. 1
B299	Tappo tanica mini nero	Fuel tank cap mini black
B300	Tappo tanica	Fuel tank cap
B301	Tappo tanica mini rosso	Fuel tank cap mini red
B302	Guarnizione tappo tanica	Fuel tank cap ring
B303	Raccordo T festo	T-fitting festo
B304	Raccordo Y festo	Y-fitting festo
B305	Rondella 10-16x1 rame	Copper washer 10-16x1
B306	Dado raccordo tanica	Nut fitting tank
B307	Raccordo pescante tanica mini	Mini tank suction fitting
B308	Rondella 10-16x1 fibra	Fiber washer 10-16x1
B309	Raccordo ritorno tanica KZ	Bleeder fitting KZ
B310	Or raccordo tanica	Fuel tank fitting o-ring
B311	Pescante	Fuel tank catch
B312	Tappino pescante tanica (rosso)	Fuel research fitting tap (red)
B313	Raccordo pescante tanica	Fuel tank catch fitting
B314	Tappino sfiato tanica (nero)	Cap fuel tank (black)
B315	Raccordo sfiato KF/KZ	Bleeder fitting KF/KZ
B317	Filtro benzina	Fuel filter

KIT leveraggio KZ e fili KZ leverage kit and wires

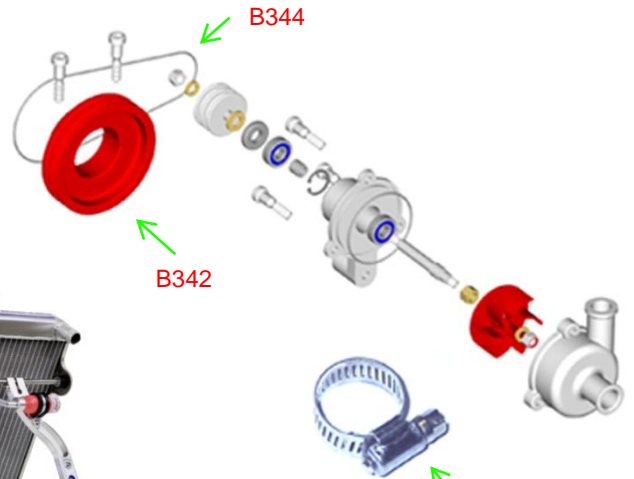


COD.	DESCRIZIONE	DESCRIPTION
B321	Leva frizione regolabile	Adjustable clutch lever
B322	Pomello	Top lever
B323	Tirante leva cambio	Stud
B324	Uniball maschio	Uniball
B325	Leva frizione	Clutch lever
B326	Leva frizione MG	Clutch lever MG
B327	Bullone leva cambio M8x260	Clutch lever bolt M8x260
B328	Piastra attacco leva cambio	Clutch lever plater
B329	Rondella bidiametro M8	Two bidiameter washer M8
B330	Dado M8	Nut M8
B331	Leva cambio	Clutch lever
B332	Supporto silenziatore	Silencer support
B333	Filo gas	Gas cable
B334	Filo frizione	Clutch cable
B335	Filo freno meccanico	Brake cable
B336	Guaina filo D6 frizione	Sheater D6 for clutch
B337	Guaina filo D5 gas	Sheater D5 for gas cable
B338	Guaina filo D7 gas	Sheater D7 clutch

KIT acqua Water KIT



← B347



↑
B340



↑
B341



↑
B342



↑
B343



↑
B344



↑
B345



↑
B346

COD.	DESCRIZIONE	DESCRIPTION
B340	Radiatore New Line 29x43x35 Big Max	New Line radiator 29x43x35 Big Max
B341	Radiatore New Line 240x430x35 RS Max	New Line radiator 240x430x35 RS Max
B342	Radiatore New Line 200x430x35 OK Max	New Line radiator 200x430x35 OK Max
B343	Radiatore EM 210x480x32	EM Radiator 210x480x32
B344	Radiatore EM 265x470x40	EM radiator 265x470x40
B345	Radiatore EM 290x435x40	EM radiator 290x435x40
B346	Tendina per radiatore	Radiator curtain
B347	Pompa acqua New Line	New Line water pump
B348	Tubo acqua rosso 2 curve	Red water pipe 2 curves
B349	Tubo acqua rosso per pompa	Red water pipe for pump
B350	Kit serbatoio recupero	Recuperate tank
B351	Puleggia	Pulley
B352	Puleggia MG	MG pulley
B353	Or	Or
B354	Fascetta	Hose clamp

Adesivi Stickers

C001



C002



C005



COD.	DESCRIZIONE	DESCRIPTION
C001	Kit adesivi	Stickers KIT
C002	Kit adesivi	Stickers KIT
C003	Kit tabelle gialle	Kit yellow tables
C004	Numeri Italcorse	Italcorse number
C005	Kit adesivi mod. 507-508	Stickers KIT mod. 507-508

Abbigliamento Clothes



C014



C012

COD.	DESCRIZIONE	DESCRIPTION
C006	Copri kart	Kart cover
C007	Sottocasco Dry Arn	Karting balaclava Dry Arn
C008	Guanti meccanico	Machanical gloves
C009	Paracostole	Rib guards
C011	Collare	Collar
C012	Tuta da pilota Mir	Driver suit Mir
C013	Tuta da pioggia Mir K-Rain Trasparente	Rain driver suit Mir K-Rain Transparent
C014	Tuta mod. Italcorse OMP	Driver suit mod. Italcorse OMP

Abbigliamento Clothes



COD.	DESCRIZIONE	DESCRIPTION
C015	Scarpe pilota mod. Italcorse OMP	Driver shoes mod. Italcorse OMP
C016	Guanti mod. Italcorse OMP	Driver gloves mod. Italcorse OMP
C017	Borsone per pilota	Driver bag
C018	Grembiule meccanico	Mechanic apron
C019	Giubbotto bomber	Bomber
C020	Giacca soft shell	Soft shell jacket
C021	Short pantalone	Shorts
C022	T-shirt	T-shirt

Abbigliamento Clothes



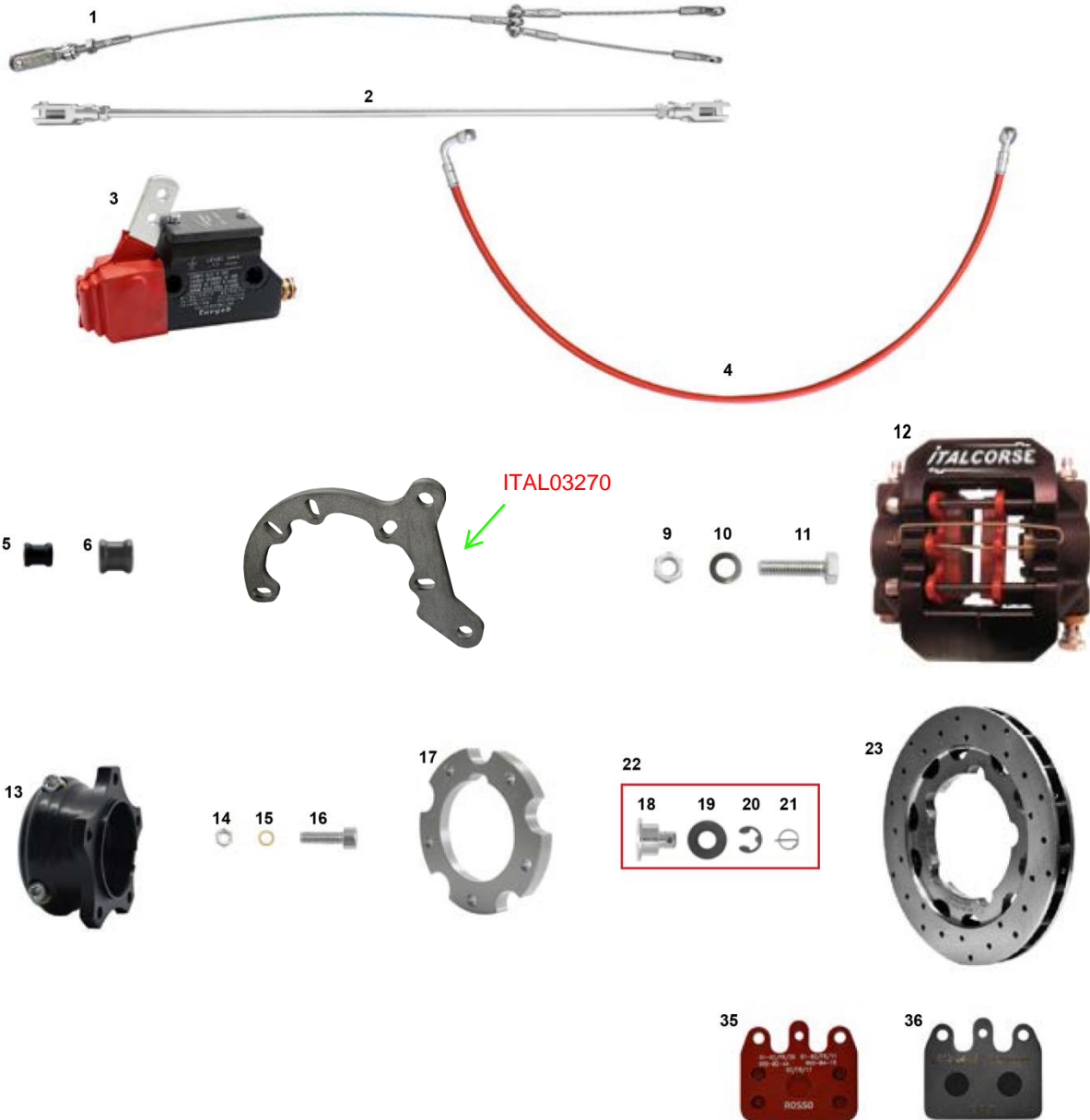
COD.	DESCRIZIONE	DESCRIPTION
C023	Camicia manica corta	Shirt short sleeve
C024	Polo manica lunga	Polo shirt long sleeve
C025	Polo Manica corta	Polo shirt short sleeve
C026	Felpa	Sweatshirt
C027	Giaccone	Jacket
C028	Giubbotto smanicato	Jacket
C029	Pantaloni	Pants
C030	Cappellino	Cap
C031	Ombrello Italcorse	Italcorse umbrella
C032	Toppa Italcorse grande	Large patch Italcorse
C033	Toppa Italcorse piccola	Little patch Italcorse
C034	Toppa Hevolube	Hevolube patch
C035	Toppa Brembo	Brembo patch
C036	Toppa DAM Italcorse	DAM Italcorse patch

Carrelli Carts



COD.	DESCRIZIONE	DESCRIPTION
C040	Carrellino KG	Cart
C041	Carrello per montaggio	Cart Mount
C042	Carrello espositivo	Exhibition cart
C043	Carrello Lino	Trolley Lino
C044	Banco attrezzi pista Papillon	Bench tools track Papillon
C045	Carrello Italcorse	Italcorse cart

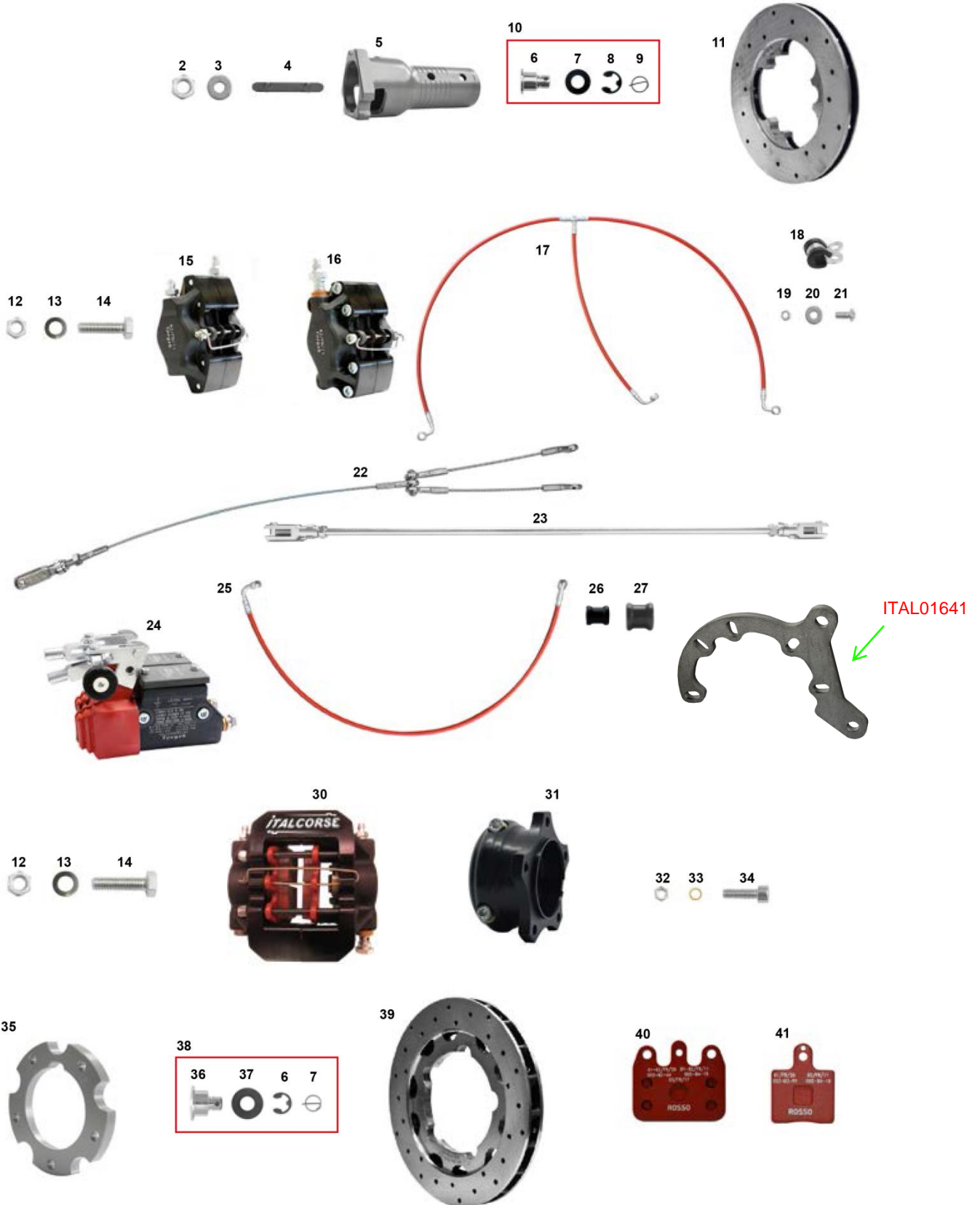
Impianto frenante OK
OK Brake system



*Impianto frenante OK
OK Brake system*

COD.	DESCRIZIONE	DESCRIPTION
MONT.T01Z.	Nero Impianto frenante OK V11 192 nero all.	Brake system OK V11 192 black all.
1 FK0.05267	Cavo freno montato KZ cm.46	Safety cable assy cm.46 KZ
2 FK0.00223	Asta freno montata cm.42 ibrido	Brake rod assy cm.42 hybrid
3 FM0.00192	Pompa freni V05/V09/V10 completa	Rear master cylinder V05/V09/V10 comp.
4 AFS.00240	Tubo freno 720 V05/V09/V10 post. occh. rosso	Brake tube V05/V09/V10 rear eyel. 720mm
5 FAN.01462	Spessore pinza 8,5x21x18 ibrido	Caliper spacer 8,5x21x18 hybrid
6 FAN.01074	Spessore pinza 8,5x16x16 mini	Caliper spacer 8,5x16x16 mini
9 AFN.00286	Dado M 8 metalblock	Nut M 8 metalblock
10 AFN.00047	Rondella 8 ondulata	Undulated washer 8
11 AFN.00107	Vite M 8x25 esagonale	M 8x25 hexagonal head screw
12 FMN.04962	Pinza freno post. V09-10-11 30 nera G	Rear brake cal. V09-10-11 30 black G
AFS.04916	Pastiglia freno post. nera V05-09-11	Rear brake pad black V05-09-11
13 FMN.04919	Mozzo disco post al 50 R-Line nero compl.	Rear brake disc hub 50 al. R-Line black compl
14 AFN.00234	Dado M 6 metalblock	Nut M 6 metalblock
15 AFN.00136	Rondella 6,5-10x1 ottone	Brass washer 6,5-10x1
16 AFN.00183	Vite M 6x20 cilindrica	M 6x20 socket head screw
17 SAN.01592	Flangia disco posteriore V09/V10	Rear brake disc flange V09/V10
18 SBN.01660	Bussola disco freno post. V09/V10	Rear brake disc V09/V10 bushing
19 AFN.01677	Rondella disco freno elas. V09/V10	Brake disc elastic washer V09/V10
20 AFN.00231	Seeger D8 disco freno	Seeger D8 brake disc
21 AFS.00232	Spina elastica D10 disco freno	Elastic pin D10 brake disc
22 FK0.01660	Bussola disco freno post. V09 comp.	Rear brake disc V09 bush comp.
23 FL1.04224	Disco freno posteriore V11 Ø192 STD	Rear brake disc V11 Ø192 STD
35 AFS.01745	Pastiglia freno post V05-09-11 rossa	Rear brake pad V05-09-11 red
36 AFS.05736	Pastiglia freno post Super Soft nera	Rear brake pad Super Soft black
ITAL03270	Piastra supporto pinza	Rear brake caliper plate

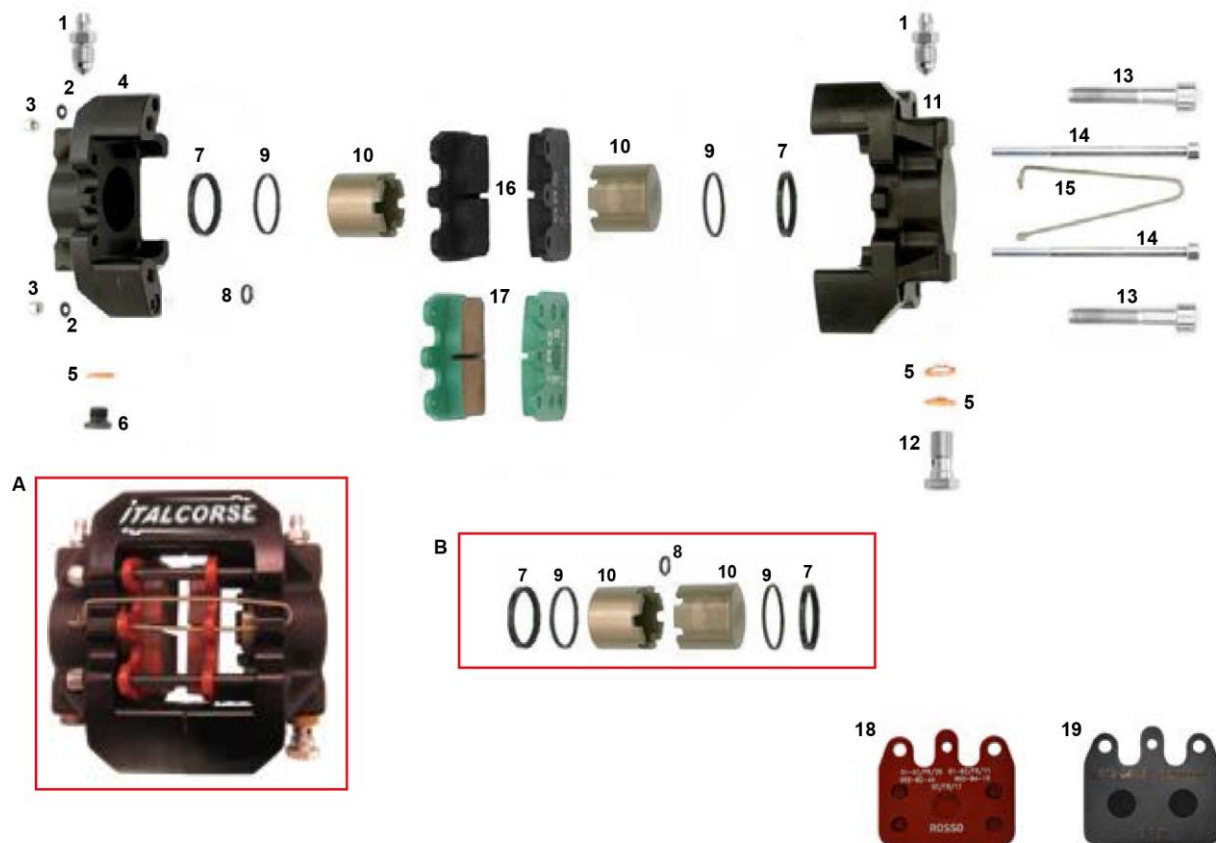
Impianto frenante KZ
KZ Brake system



Impianto frenante KZ KZ Brake system

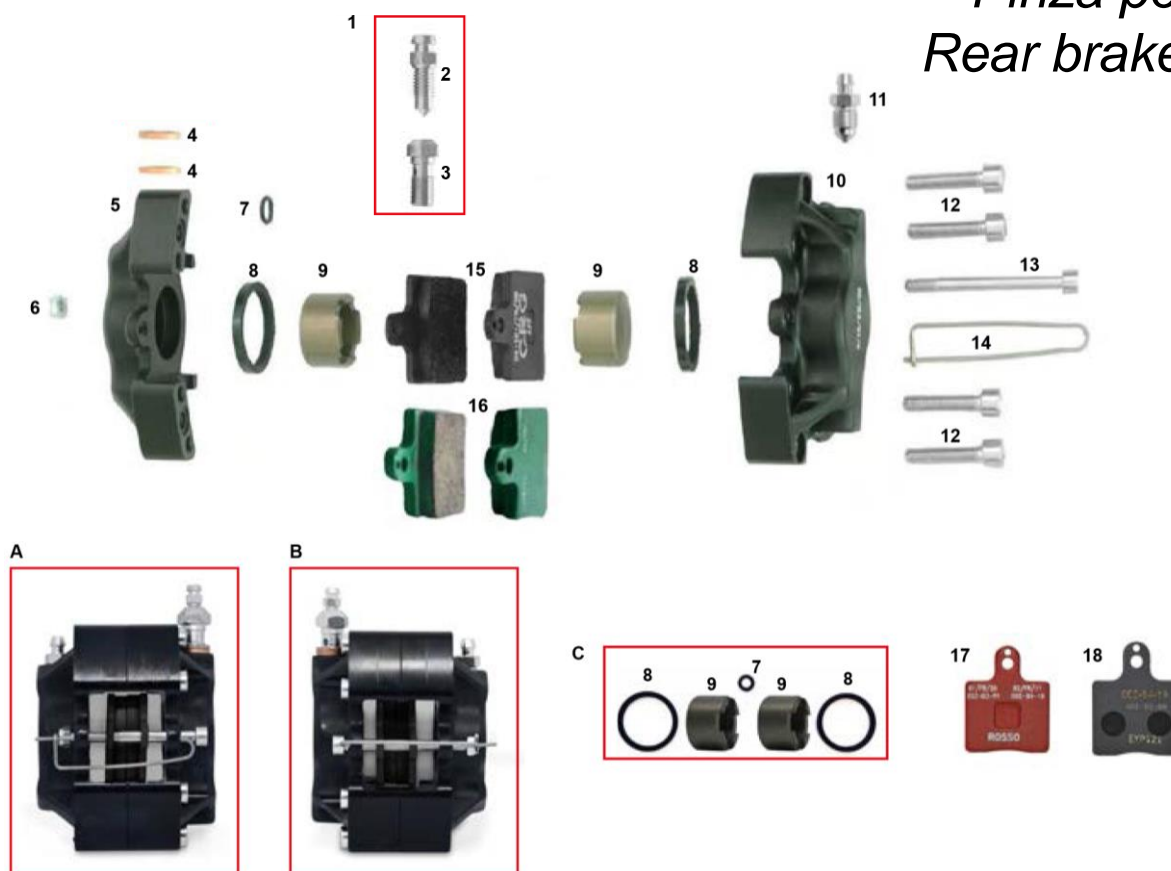
COD.	DESCRIZIONE	DESCRIPTION
MONT.T01V.Nero	Impianto frenante KZ V11 192 MG nero	Brake system KZ V11 192 black
2 AFN.00058	Dado M14x1,5 autoblock	Nut M14 x1,5 self-locking
3 AFN.01564	Rondella 15 -30x2,5	Washer 15 -30x2,5
4 AFS.00246	Chiavetta assale 2 pioli	Rear axle keyway 2 pins
5 FMN.01893	Mozzo disco ant. al KZ2 V05 25 completo	Alu front brake disc hub V05 KZ 25 compl.
6 SBN.00372	Bussola disco freno anteriore V05	Front brake disc V05 bush
7 AFN.00230	Rondella disco freno elastica	Rear brake disc elastic washer
8 AFN.00231	Seeger D8 disco freno	Seeger D8 brake disc
9 AFS.00232	Spina elastica D10 disco freno	Elastic pin D10 brake disc
10 FK0.00372	Bussola disco freno ant. V05 comp.	Front brake disc V05 bush compl.
11 FL1.04225	Disco freno anteriore V11 154 std	Brake disc front V11 154 std
12 AFN.00286	Dado M8 metalblock	Nut M8 metalblock
13 AFN.00047	Rondella 8 ondulata	Undulated washer 8
14 AFN.00107	Vite M 8x25 esagonale	M 8x25 hexagonal head screw
15 FMN.4961S	Pinza ant. V09-11 nera G sx nero compl.	Front brake caliper V09-11 G L. black compl
16 FMN.4961D	Pinza ant. V09-11 nera G dx nero compl	Front brake caliper V09-11 G R. black compl
17 AFS.00336	Tubo freno tris anteriore V05/V07 occh.	Front brake hose tris V05/V07 eye.
18 AFN.00337	Fascetta ferma tubo freno	Brake tube clip
19 AFN.00360	Dado M5 autoblock basso	Nut M5 low self-locking
20 AFN.00361	Rondella 5,5-15x1,5	Washer 5,5-15x1,5
21 AFN.00359	Vite M 5x12 bombata	M 5x12 convex head screw
22 FK0.05267	Cavo freno montato KZ cm.46	Safety cable assy cm.46 KZ
23 FK0.00223	Asta freno montata KZ cm.42 ibrido	Brake rod assy cm.42 KZ hybrid
24 FM0.00329	Doppia pompa UP/V04 + ripartitore KZ	Double master cylinder V04 with equal. KZ
25 AFS.00240	Tubo freno mm 720 V05 post. occhio	Brake tube V05 rear eye. mm 720
26 FAN.01074	Spessore pinza 8,5x16x16 mini	Caliper spacer 8,5x16x16 mini
27 FAN.01462	Spessore pinza 8,5x21x18 ibrido	Caliper spacer hybrid 8,5x21x18
30 FMN.04962	Pinza freno post. V09-10-11 30 nera G nero	Rear brake cal. V09-10-11 30 black G black
31 FMN.04919	Mozzo disco post. al. 50 R-Line comp. nero	Rear brake disc hub 50 R-Line al.compl. black
32 AFN.00234	Dado M6 metalblock	Nut M6 metalblock
33 AFN.00136	Rondella 6,5-10x1 ottone	Brass washer 6,5-10x1
34 AFN.00183	Vite M 6x20 cilindrica	M 6x20 socket head screw
35 SAN.01592	Flangia disco posteriore V09	Rear brake disc flange V09
36 SBN.01660	Bussola disco freno post. V09	Rear brake disc V09 bushing
37 AFN.01677	Rondella disco freno elas. V09 posteriore	Rear brake disc V09 elastic washer
38 FK0.01660	Bussola disco freno post. V09 comp.	Rear brake disc V09 bush comp.
39 FL1.04224	Disco freno posteriore V11 192 STD	Rear brake disc V11 192 STD
40 AFS.01745	Pastiglia freno posteriore rossa V09/V11	Rear brake pad V09/V11 red
41 AFS.02997	Pastiglia freno anteriore rossa V09/V11	Front brake pad V09/V11 red
ITAL01641	Piastra supporto pinza	Rear brake caliper plate

Pinza posteriore Rear brake caliper



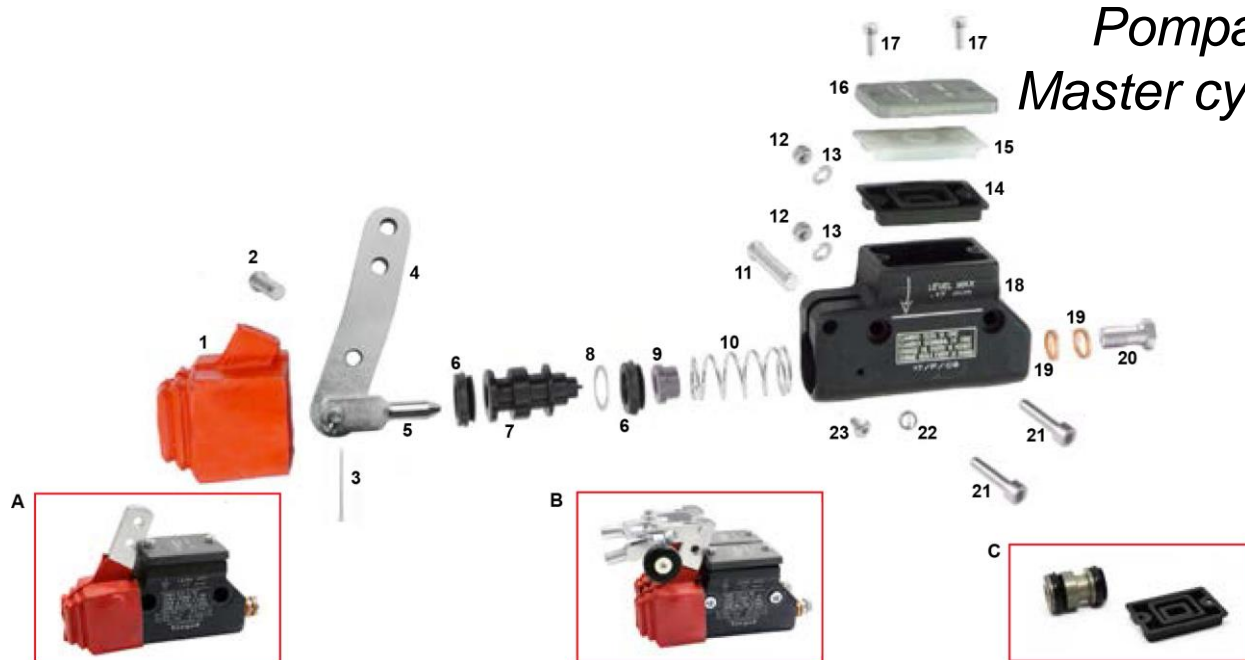
	COD.	DESCRIZIONE	DESCRIPTION
A	FMN.04962	Pinza freno post. V09-10 30 nera G nero	Rear brake caliper V09-10 30 black G black
B	CRG.03022	Kit revisione pinza posteriore V09	Revision kit rear brake caliper V09
1	SZO.00184	Spurgo M10	Bleeder M10
2	AFN.02264	Rondella 5,3-10x1	Washer 5,3-10x1
3	AFN.00360	Dado M5 autoblock basso	Nut M5 low self-locking
4	SAN.1800D	Semi pinza posteriore V09/V10 30 dx nera	Half rear brake caliper V09/V10 30 rh
5	AFN.00186	Rondella 10,5-14x2 rame	Copper washer 10,5-14x2
6	SBN.00369	Tappo M10 V09/V10	Caliper cap M10 V09/V10
7	AFS.03022	Gommino pinza posteriore V09	Rear brake caliper seal V09
8	AFN.00182	Or pinza V09/V10	O-ring caliper V09/V10
9	AFS.03023	Gommino parapolvere	Dust guard seal
10	SD1.01801	Pistoncino pinza V09/V10 posteriore	Rear brake caliper piston V09/V10
11	SAN.1800S	Semi pinza posteriore V09/V10 30 sx nera	Half rear brake caliper V09/V10 30 lh
12	SZO.00185	Raccordo M10 V09/V10	Fitting M10 V09/V10
13	AFN.00159	Vite M 8x45 cilindrica	M 8x45 socket head screw
14	AFN.01679	Vite M 5x80 cilindrica	M 5x80 socket head screw
15	AFS.01682	Spina sicurezza pinza posteriore	Rear safety pin
16	AFS.04916	Pastiglia freno post. V05-V09-V11 nera	Rear brake pad V05-09-11 black
17	AFS.01624	Pastiglia freno post. V05 D verde	Rear brake pad V05 D green
18	AFS.01745	Pastiglia freno post. V09-11 rossa	Rear brake pad V09-11 red
19	AFS.05736	Pastiglia freno post. Super Soft nera	Rear brake pad Super Soft black

Pinza posteriore Rear brake caliper



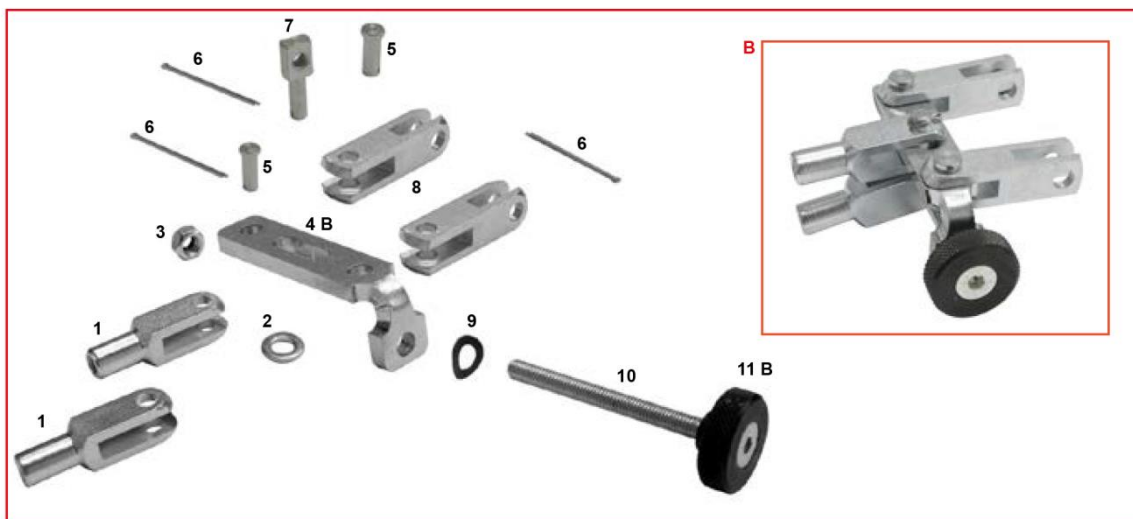
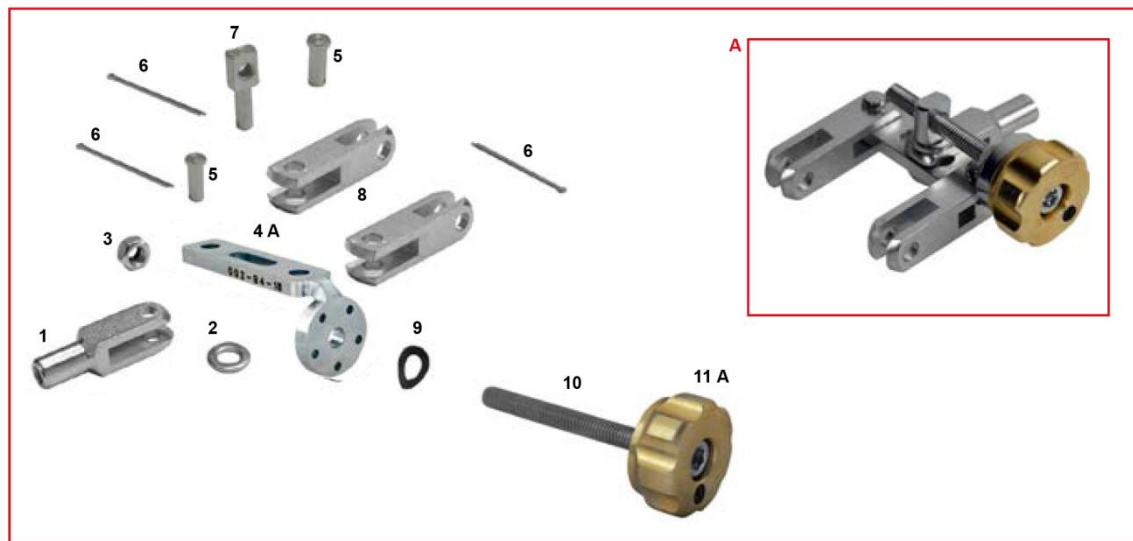
	COD.	DESCRIZIONE	DESCRIPTION
A	FMN.4961S	Pinza anteriore V09/11 nera sx compl	Front brake caliper V09/11 black left
B	FMN.4961D	Pinza anteriore V09/11 nera dx compl	Front brake caliper V09/11 black right
C	CRG.03260	Kit revisione pinza anteriore UP/V05/09/11	Revision kit front brake caliper V05/09/11
1	FM0.00308	Raccordo combinato completo	Bleeder fitting complete
2	SZ0.00309	Spurgo M6 UP/V04/V05	Bleeder M6 UP/V04/V05
3	SZ0.00308	Raccordo combinato M10	Combined fitting M10
4	AFN.00186	Rondella 10,5-14x2 rame	Copper washer 10,5-14x2
5	SDN.0365D	Semi pinza ant. V05/UP con orecc. dx	Half caliper UP/V05 front rh with fittings
5	SDN.0364D	Semi pinza ant. V05/UP dx	Half caliper UP/V05 front rh black
6	AFN.00360	Dado M5 autoblock basso	Nut M5 low self-locking
7	AFN.03814	Or pinza V09/V10	O-ring caliper V09/V10
8	AFS.00179	Gommino pinza anteriore V05/UP	Piston seal front UP/V05
9	SD1.00370	Pistoncino pinza V05/V08 anteriore	Front brake caliper piston V05/V08
10	SDN.0365S	Semi pinza ant. V05/UP con orecc. sx	Half caliper UP/V05 front lh with fittings
10	SDN.0364S	Semi pinza ant. V05/UP sx nera	Half caliper UP/V05 front lh black
11	SZ0.00184	Spurgo M10 UP/V04/V05	Bleeder M10 UP/V04/V05
12	AFN.00368	Vite M 6x40 cilindrica	M 6x40 socket head screw
13	AFN.00367	Vite M 5x55 cilindrica	M 5x55 socket head screw
14	AFS.00187	Spina sicurezza anteriore V09/V10	Safety pin V09/V10 front
15	AFS.04915	Pastiglia freno ant. V05-09-11 nera	Front brake pad V05-09-11 black
16	AFS.01046	Pastiglia freno ant. V05 D verde	Front brake pad V05 green
17	AFS.02997	Pastiglia freno ant. V05-09-11 rossa	Front brake pad V05-09-11 red
18	AFS.05734	Pastiglia freno ant. Super Soft nera	Front brake pad Super Soft black

Pompa freni Master cylinder



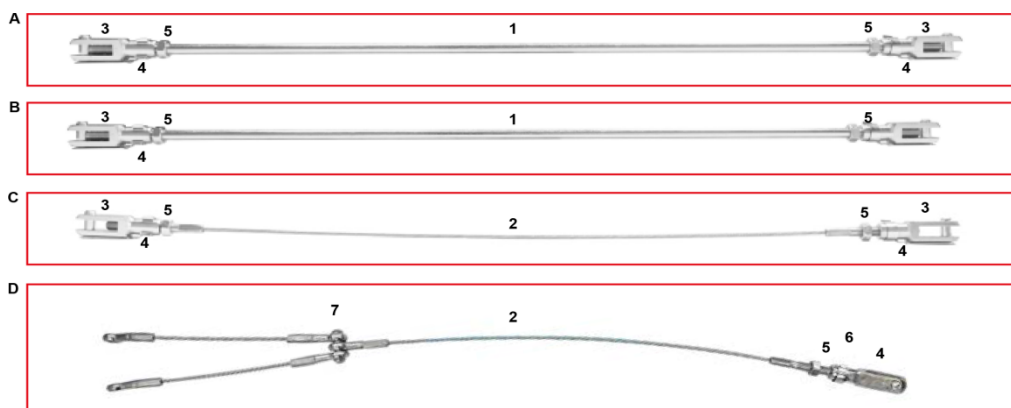
COD.	DESCRIZIONE	DESCRIPTION
A FM0.00192	Pompa freni V09/10 completa KZ FS4 MINI	Rear master cylinder V09/10 comp KZ FS4 MINI
FM0.05591	Pompa freni V09/10 compl. nera OK-OKJ	Rear master cylinder V09/10 comp black OK-OKJ
B FM0.00329	Doppia pompa UP/V04/V05 con rip.KZ	KZ doublemaster cyl.UP/V04/V05 with equilizer
C CRG.00192	Kit revisione pompa freno V09 comp.	Revision kit master cylinder V09 complete
1 AFS.00199	Copripolvere pompa freni	Dust cover for brake pump
2 SBN.00200	Spina pompa freni 16mm nera	Master cylinder pin 16mm black
SBN.00214	Spina ripartitore mm 17,5	Divider pin 17,5mm black
3 AFN.00201	Copiglia	Master cylinder split pin
4 SZ0.05147	Leva pompa freno posteriore SP.6	Rear master cylinder SP.6
5 AFS.0497404	Puntale pompa freni sp.6	Toe brakes pump sp.6
AFS.04975	Forchetta doppia Sp 5/6	Double fork Sp. 5/6
6 AFS.00194	Gommino pompa V09/10	Master cylinder rubber V09/10
7 SAN.00210	Pistoncino pompa UP/V04/V05	Master cylinder piston UP/V04/V05
8 AFN.00195	Distanziale pompa freni 14-20x0,5	Master cylinder spacer 14-20x0,5
9 SL1.00208	Tappo molla pompa UP/V04/V05	Master cylinder spring cap UP/V04/V05
10 SZ0.00193	Molla pompa freni UP/V04/V05	Master cylinder spring UP/V04/V05
SZ0.05591	Molla pompa freni 2000UP cilindrica	Master cylinder spring 2000UP cylindrical
11 SBN.00202	Spina pompa freni 35,5mm	Master cylinder pin 35,5mm
12 AFN.00106	Dado M 6 autoblock basso	Nut M 6 low self-locking
13 AFN.00105	Rondella 6,5-12x1,5	Washer 6,5-12x1,5
14 AFS.00205	Membrana pompa V09/10	V09/10 master cylinder gasket
15 AFS.00204	Tappo membrana pompa	Diaphragm pump cap
16 SAN.00212	Coperchio pompa freno UP/V04 nero	Black cover up master cylinder UP/V04 black
17 AFN.02148	Vite M4x10 cilindrica	M4x10 socket head screw
18 SAN.00192	Corpo pompa freno UP/V04/V05	Master cylinder UP/V04/V05 body
19 AFN.00186	Rondella 10,5-14x2 rame	Copper washer 10,5-14x2
20 SZ0.00185	Raccordo M10 UP/V04/V05	Fitting M10 UP/V04/V05
21 AFN.00368	Vite M6x40 cilindrica	M6x40 socket head screw
22 AFS.00981	Spina elastica D8	Elastic pin D8
23 AFN.02262	Vite M4x6 bombata	M4x6 convex head screw

Ripartitore frenata Brake equalizer



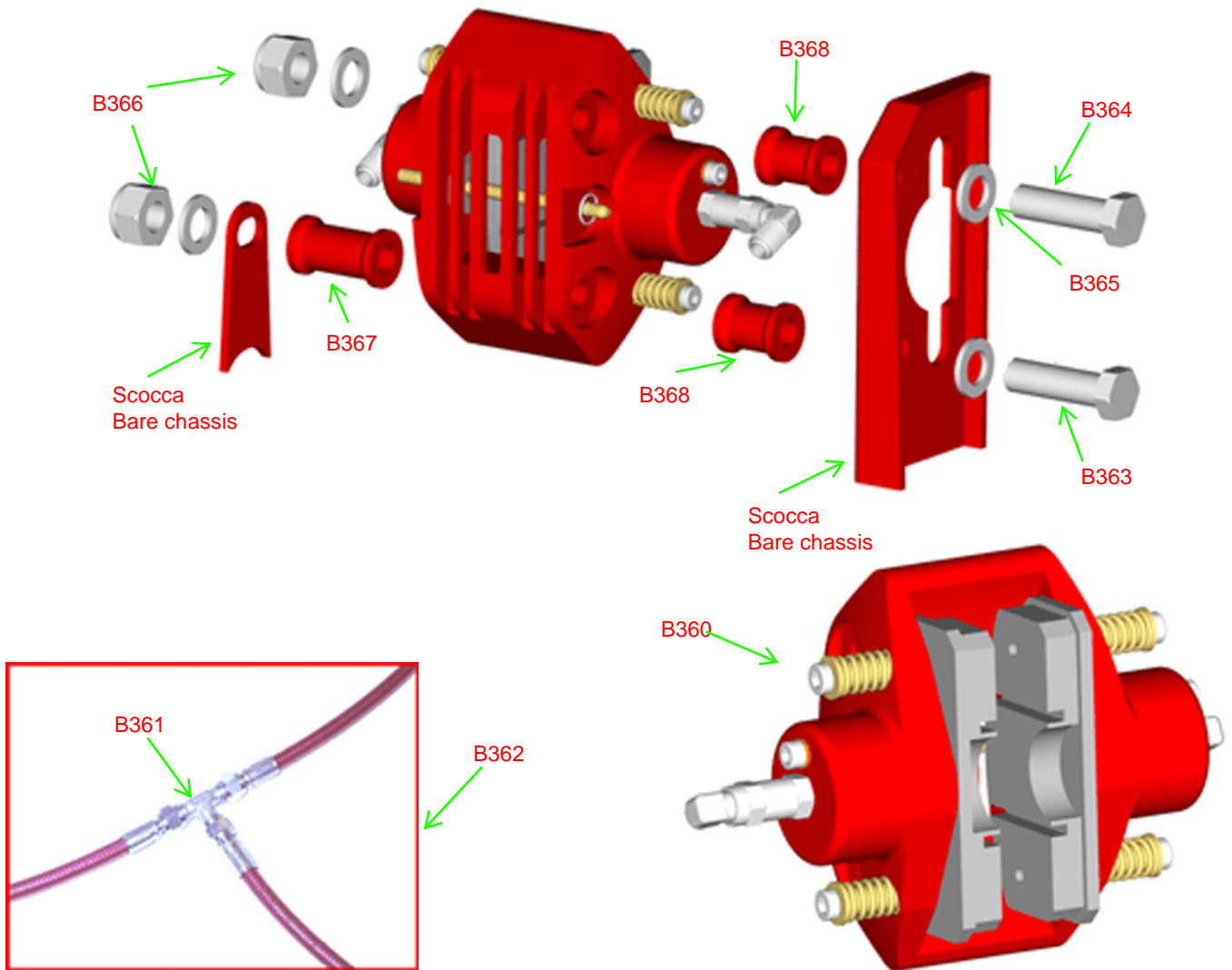
	COD.	DESCRIZIONE	DESCRIPTION
A	FM0.05027	Ripartitore frenata KZ con posizionatore	Brake equalizer KZ assy with positions
B	FM0.00330	Ripartitore frenata KZ completo	Brake equalizer KZ complete
1	AFS.00216	Forchetta semplice standard	Simple fork standard
2	AFN.00105	Rondella 6,5-12x1,5	Washer 6,5-12x1,5
3	AFN.00106	Dado M 6 autoblock basso	Nut M 6 low self-locking
4A	SZ0.05027	Piastrina ripartitore KZ con posizionatore	Master cylinder KZ equal. with positions
4B	SBN.00334	Piastrina ripartitore KZ	Master cylinder KZ equal.
5	SBN.00214	Spina ripartitore 17,5mm	Divider pin 17,5mm
6	AFN.00201	Copiglia	Master cylinder split pin
7	SBN.00335	Perno registro ripartitore KZ	Master cylinder div. KZ reg. pivot
8	AFS.04975	Forchetta doppia sp 5/6	Double fork sp 5/6
9	AFN.00331	Rondella 6 ondulata	Undulated washer 6
10	AFN.05030	Vite M6x60 cilindrica filetto intero	M6x60 socket head screw
11A	SAG.05028	Pomolo registro ripartitore KZ con posizionatore	Divider register pommel KZ with positions
11B	SAN.00333	Pomolo registro ripartitore nero	Divider register pommel black

Tiranti freno Brake rods



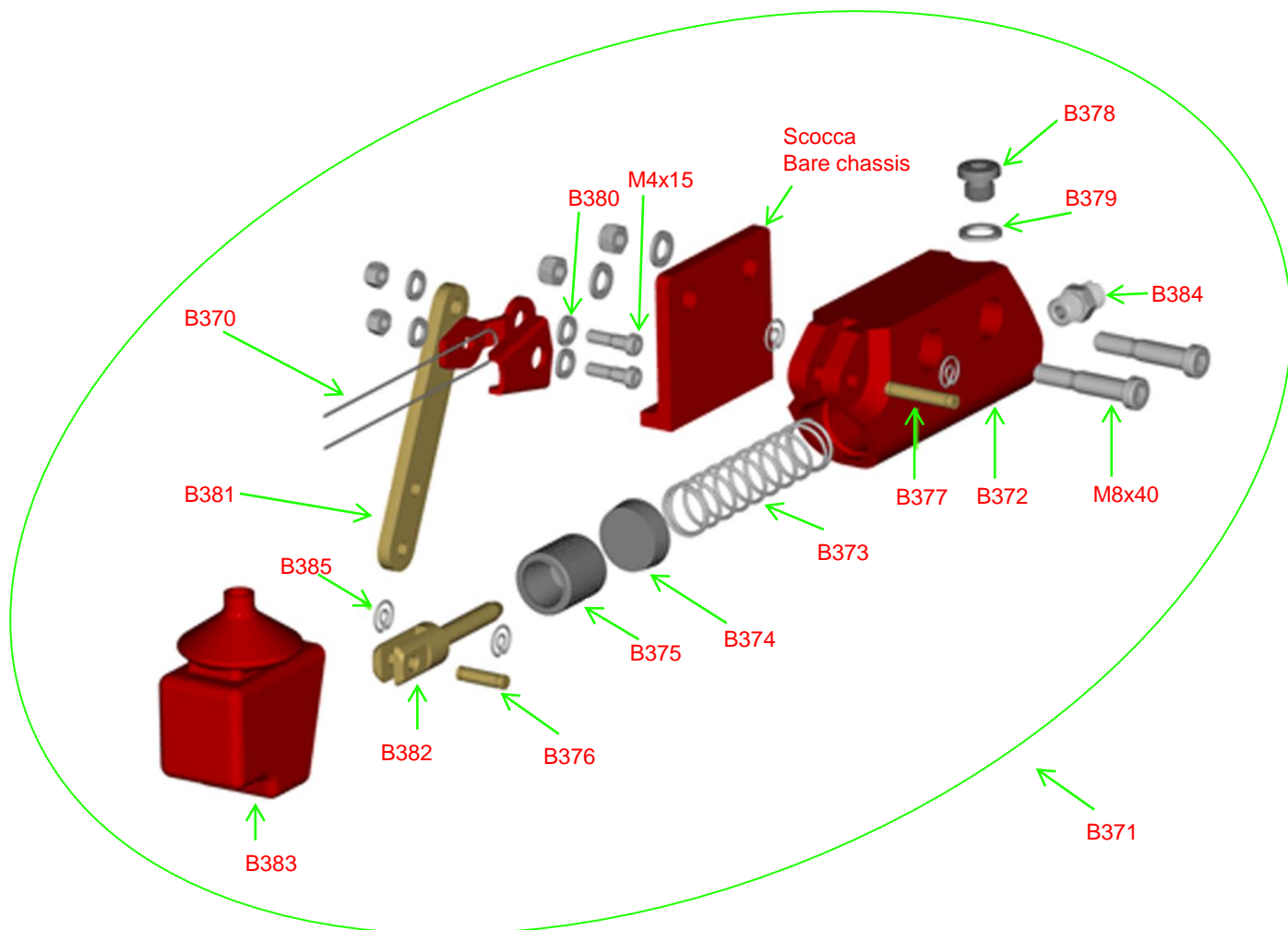
	COD.	DESCRIZIONE	DESCRIPTION
A	FK0.00918	Asta freno cm.45 DD completa	Brake rod cm.45 DD complete
B	FK0.00223	Asta freno cm.42 KZ completa	Brake rod cm.42 KZ complete
C	FK0.00809	Cavo freno cm.44 DD completo	Safety cable cm.44 DD complete
D	FK0.05267	Cavo freno montato KZ cm.46	Safety cable assy cm.46 KZ
	FK0.03936	Asta freno montata cm.39 FS4	Draw pin complete 39cm FS4
1	SBN.01566	Asta freno cm.24	Brake rod cm.24
1	SBN.00565	Asta freno cm.27	Brake rod cm.27
1	SBN.00566	Asta freno cm.28	Brake rod cm.28
1	SBN.01518	Asta freno cm.30	Brake rod cm.30
1	SBN.00933	Asta freno cm.32	Brake rod cm.32
1	SBN.00704	Asta freno cm.33	Brake rod cm.33
1	SBN.00744	Asta freno cm.38	Brake rod cm.38
1	SBN.00931	Asta freno cm.40	Brake rod cm.40
1	SBN.00223	Asta freno cm.42	Brake rod cm.42
1	SBN.00888	Asta freno cm.43	Brake rod cm.43
1	SBN.00918	Asta freno cm.45	Brake rod cm.45
1	SBN.00932	Asta freno cm.46	Brake rod cm.46
1	SBN.00801	Asta freno cm.48	Brake rod cm.48
1	SBN.00802	Asta freno cm.49	Brake rod cm.49
1	SBN.01358	Asta freno cm.52	Brake rod cm.52
1	SBN.00804	Asta freno cm.55	Brake rod cm.55
2	AFS.00805	Cavo sicurezza cm.25	Safety cable cm.25
2	AFS.00807	Cavo sicurezza cm.29	Safety cable cm.29
2	AFS.00808	Cavo sicurezza cm.33	Safety cable cm.33
2	AFS.00745	Cavo sicurezza cm.39	Safety cable cm.39
2	AFS.00227	Cavo sicurezza cm.41,5	Safety cable cm.41,5
2	AFS.00809	Cavo sicurezza cm.44	Safety cable cm.44
2	AFS.05267	Cavo sicurezza KZ cm 46	Safety cable cm.46 KZ
2	AFS.00810	Cavo sicurezza cm.48,5	Safety cable cm.48,5
2	AFS.00811	Cavo sicurezza cm.52	Safety cable cm.52
2	AFS.00812	Cavo sicurezza cm.54	Safety cable cm.54
3	AFS.00216	Forchetta semplice standard	Simple fork standard
3	AFS.01190	Forchetta semplice corta	Short fork simple
4	AFS.00224	Clift std	Clift std
5	AFN.00093	Dado M 6	Nut M 6
6	AFN.00234	Dado M 6 autobloccante	Nut M 6 autoblock
7	AFN.02861	Vite M6x18 bombata	M6x18 convex head screw

Impianto freno KF mod. idraulico
KF brake system mod. hydraulic



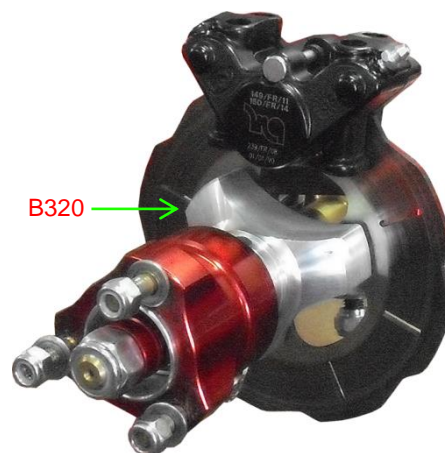
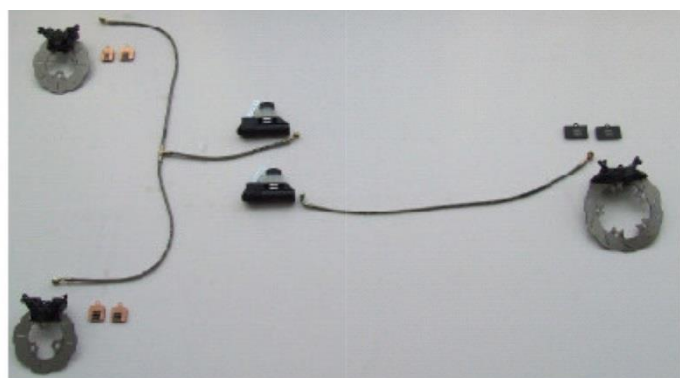
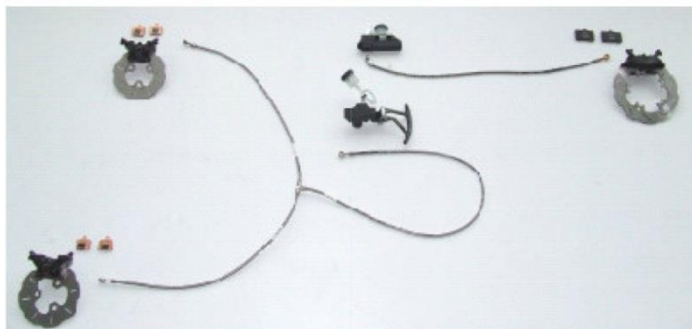
COD.	DESCRIZIONE	DESCRIPTION
B360	Pinza freno idraulica posteriore	Rear brake caliper
B361	Raccordo a "T" posteriore	A "T" back connection
B362	Tubazione corazzata completa (1 pinza)	Hp brake pipe complete
B363	Brugola 10x140	Allen bolt 10x140
B364	Brugola 10x110	Allen bolt 10x110
B365	Rondella	Washer
B366	Dado	Nut
B367	Distanziale pinza mm34	Brake caliper spacer mm34
B368	Distanziale pinza mm20	Brake caliper spacer mm20

Pompa freno (pinza posteriore)
Brake master cylinder (rear brake)



COD.	DESCRIZIONE	DESCRIPTION
B370	Filo freno completo	Brake cable complete
B371	Pompa freno idraulica	Brake master cylinder
B372	Pompa freno idraulica nuda	Bare brake master cylinder
B373	Molla	Spring
B374	Gommino a tazza	Seal ring
B375	Pompante	Pressure cylinder
B376	Spinetta 18mm	Pin 18mm
B377	Spinetta 26mm	Pin 26mm
B378	Vite di spurgo	Screw
B379	Rondella vite di spurgo in nylon	Naylon washer
B380	Rondella bidiametro	Bidiametral washer
B381	Leveraggio pompa	Brake cylinder lever
B382	Leveraggio pompa	Brake cylinder lever
B383	Copri polvere	Dust cover
B384	Raccordo pompa	Master cylinder connection
B385	Fermo per spinetta	Circlip

Impianto frenante Motor Quality Motor Quality brake system



COD.	DESCRIZIONE	DESCRIPTION
MQ125KF	125cc monomarcia	125cc single speed
MQ125SHIFT	125cc Shift	125cc Shift
20MQ0228	Pinza freno radiale ant. 2 pist. Ø 2x28mm	Radial front brake caliper 2 pist. Ø 2x28mm
08MQ002M	Disco ant. Ø 155x3,5mm	Front disc Ø 155x3,5mm
1037MQ13/08	Kit nottolini acciaio disco ant.	Steel latches kit for front disc
07K057	Set pastiglie freno organiche ant.	Kit brake pads front organic
6KRT01A3	Kti tubo freno ant. con bocc. e guarn. KF	Front brake line kit KF
20MQ14FHM	Pompa Ø 14mm manuale	Hand pump Ø 14mm
K61450DZ0	Kit tubo freno ant. con bocc. e guarn. Shift	Front brake line kit Shift
20KR2220/08	Pompa Ø 22mm a pedale	Foot pump Ø 22mm
20MQ0424	Pinza freno radiale post. 4 pist. Ø 4x24mm	Radial rear brake caliper 4 pist. Ø 4x24mm
10MK200	Disco post. Ø 200x4,5mm con flangia	Rear disc Ø 200x4,5mm with flange
1055408MQ	Kit nottolini acciaio per disco post.	Steel latches kit for rear disc
07K053	Set pastiglie freno organiche post.	Kit brake pads front organic
6KRT02P1	Kit tubo freno post. 760mm*	Rear brake line kit 760mm*
20KR2220/08	Pompa Ø 22mm a pedale	Foot pump Ø 22mm
MZ0902KR02	Kit mozzo post. Ø 50mm	Kit rear hub Ø 50mm
07K057/SC	Pasticche ant. 2	Front brake pads 2
07K053/SC	Pasticche post. 2	Rear brake pads 2
B320	Porta disco Brembo	Front disk carrier Brembo
B321	Porta disco Brembo MG	Front disk carrier Brembo MG

*Opz. 710mm cod. 6KRT01P1 € 26,00

D.A.M. S.r.l.
Via Vecchia di Napoli, 223
00049 Velletri (Roma) Italy
Tel 335 619 3540 / 333 772 0727
Web www.italcorse.eu **E-mail** info@italcorse.eu